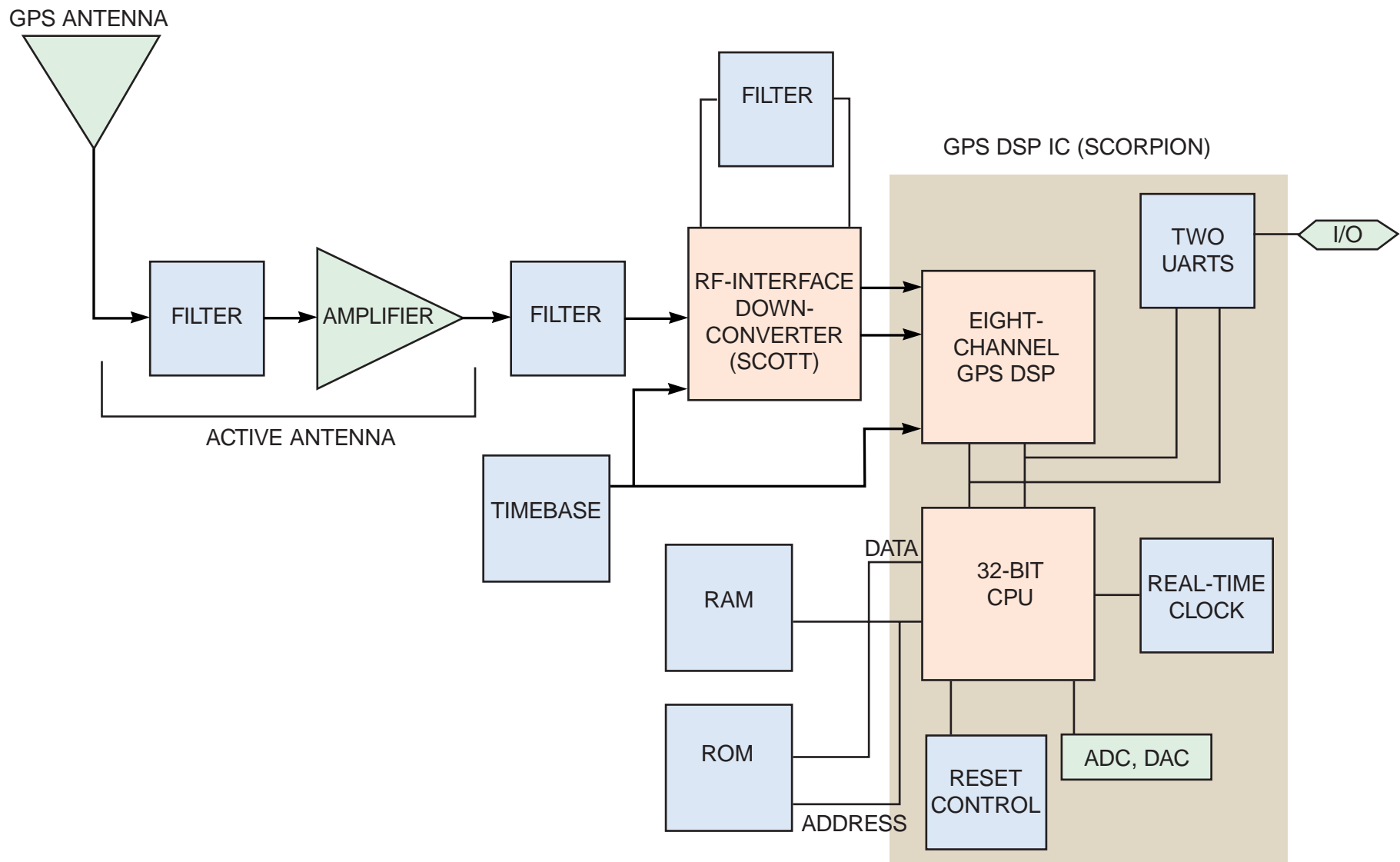


Figure 1



The Sierra chip set from Trimble Navigation includes an RF front end and a digital IC that integrates a correlator and a μ C.