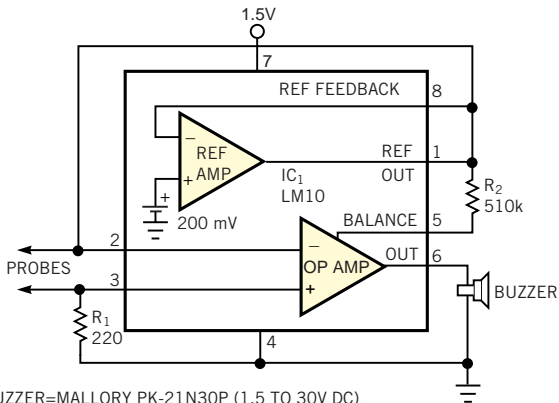


Figure 1



NOTES: BUZZER=MALLORY PK-21N30P (1.5 TO 30V DC)
OR RADIO SHACK 273-065 (1.5 TO 15V DC).

Keep an ear open for short circuits, with this easy-to-build short-circuit tester.