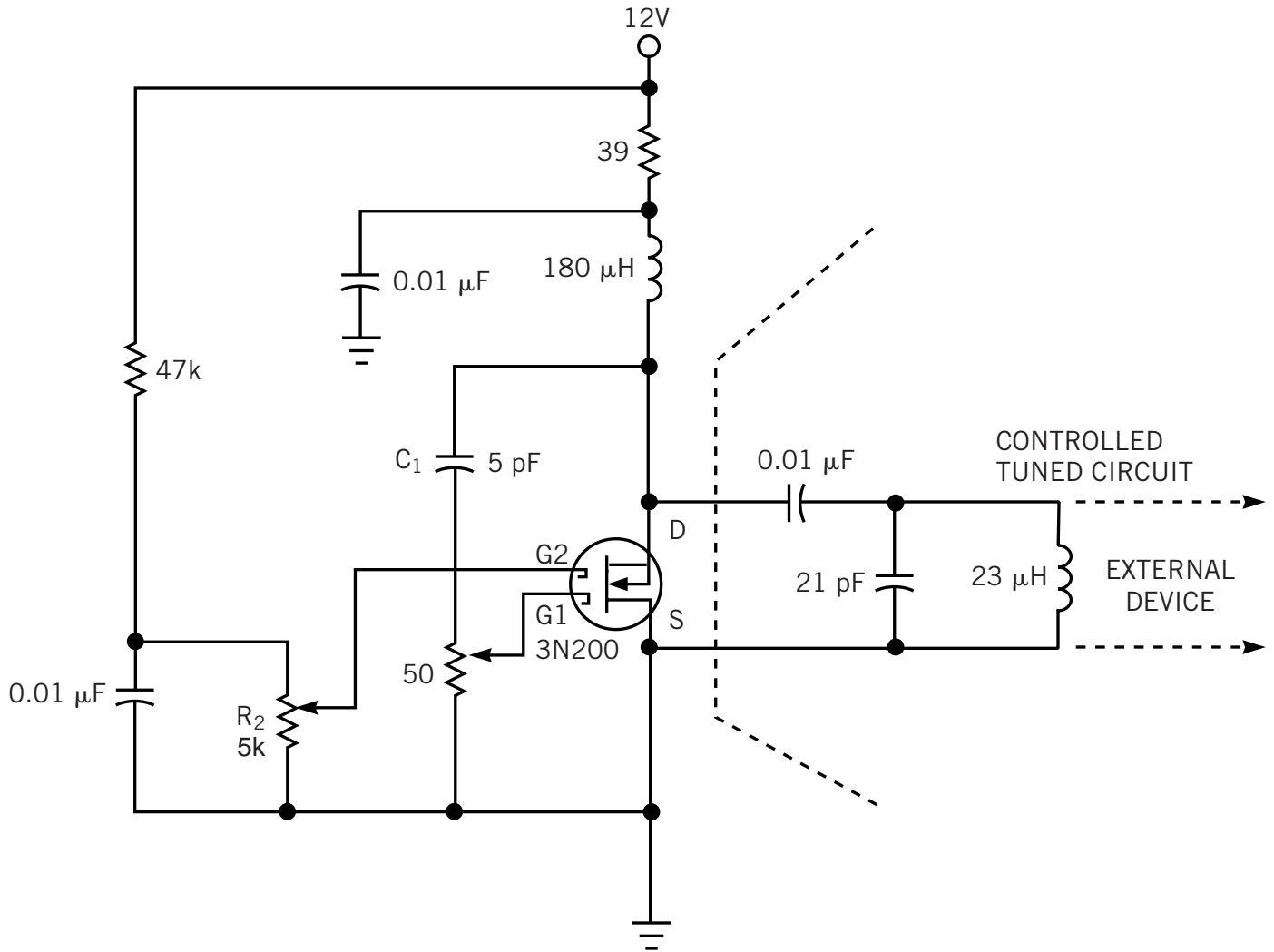


Figure 1



Use Grandpa's circuit without a filament to heat the room for linear frequency tuning in a regenerative radio receiver.