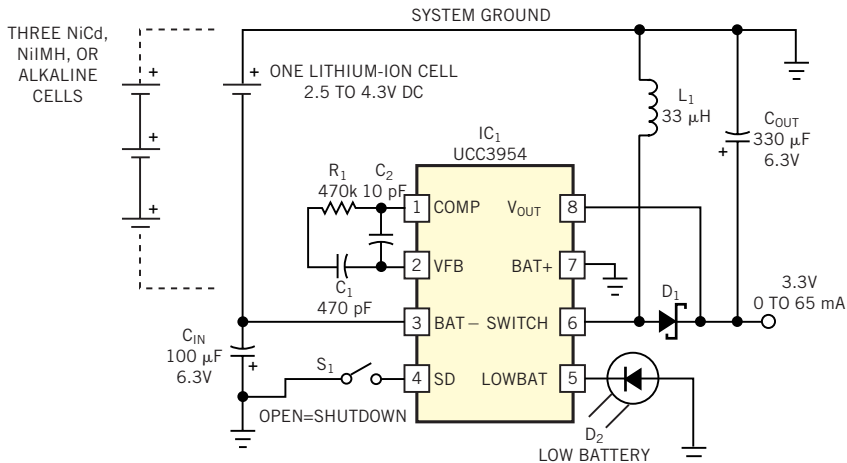


Figure 1



NOTES: D₁=MOTOROLA MBRS130LT3.
L₁=COILCRAFT DO3316P-333.
C_{IN}=AVX TPSE337M006R0100.
C_{OUT}=AVX TPSD107M010R0065.

This 3.3V dc/dc converter takes full advantage of the benefits of an Li-ion battery and works over the battery's full range of 4.2 to 2.5V.