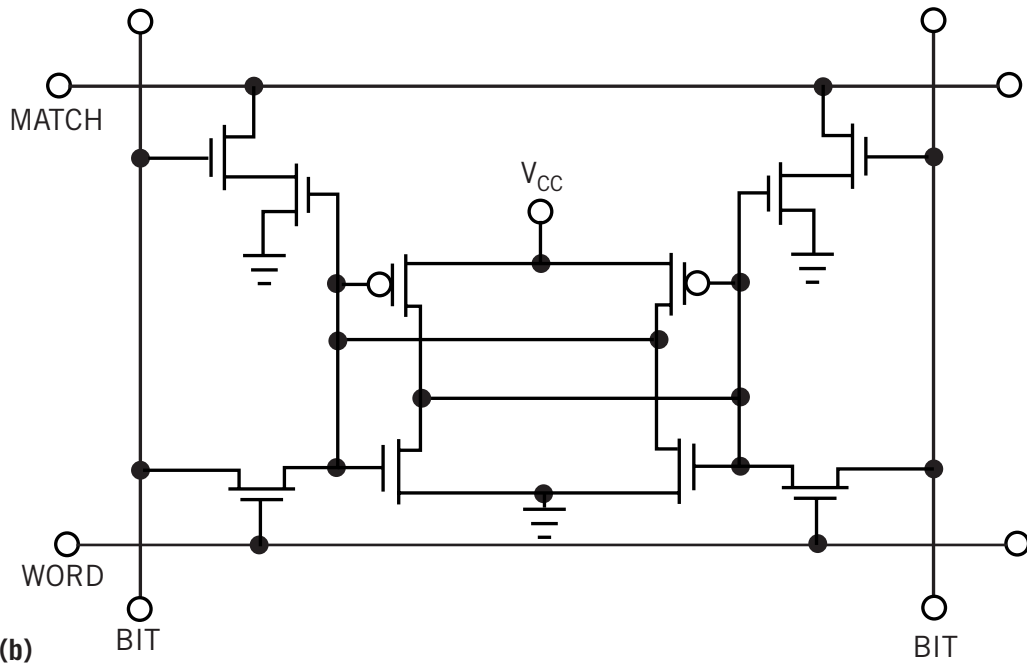
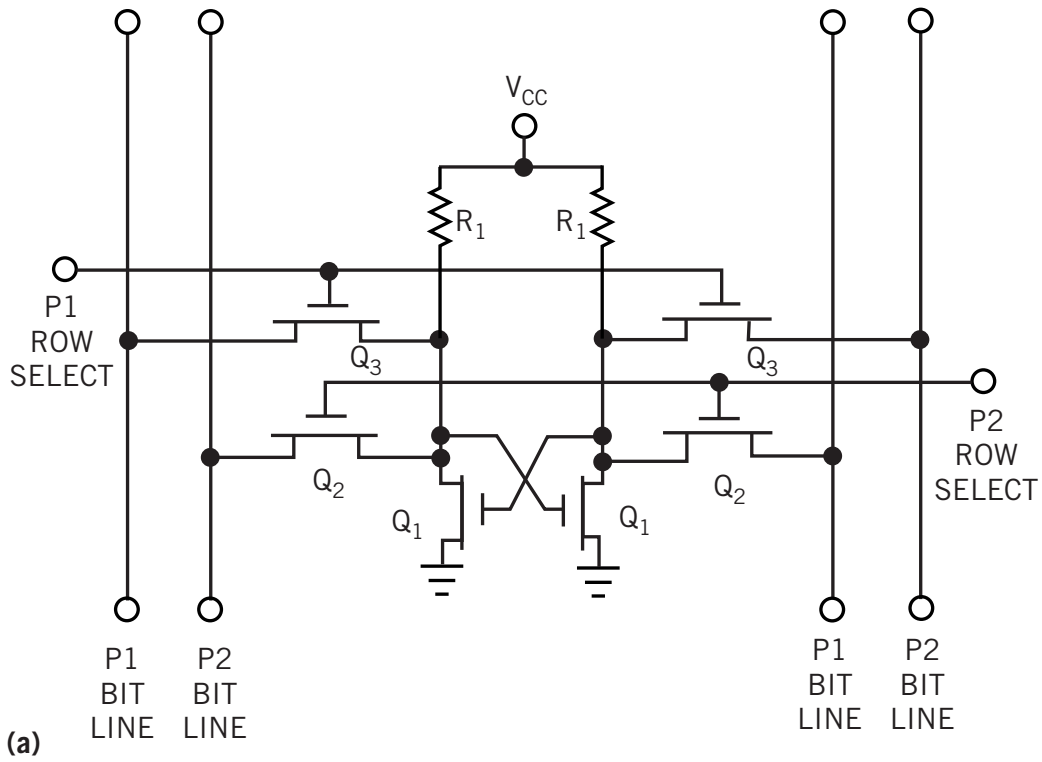


Figure A



A close analysis of multiport (a) and CAM (b) cells reveals their SRAM heritage (a, courtesy Integrated Device Technology; b, courtesy Music Semiconductor).