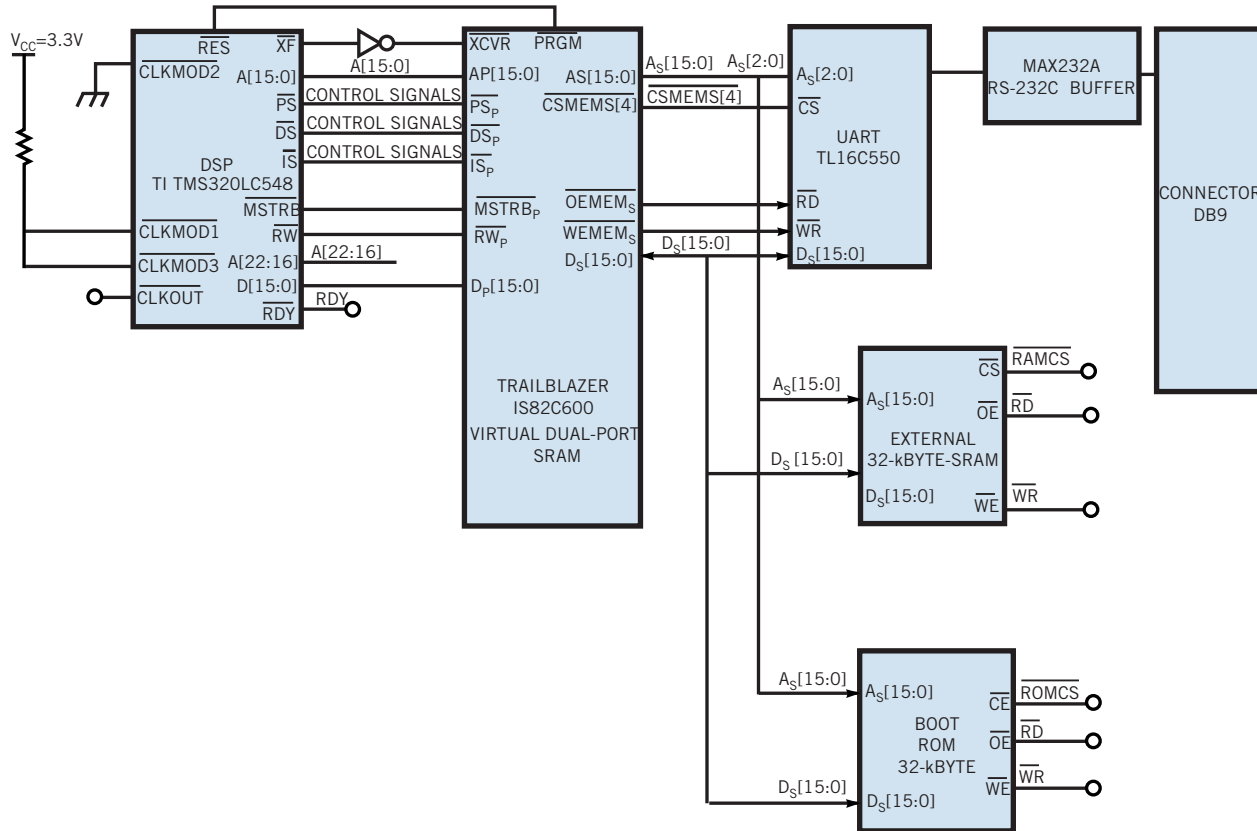


**Figure B**



**The Trailblazer SRAM provides a fast, no-glue interface to TI's DSPs and re-creates the processors' address and data buses and control signals for other external devices, including slave DSPs (courtesy Integrated Silicon Solution).**