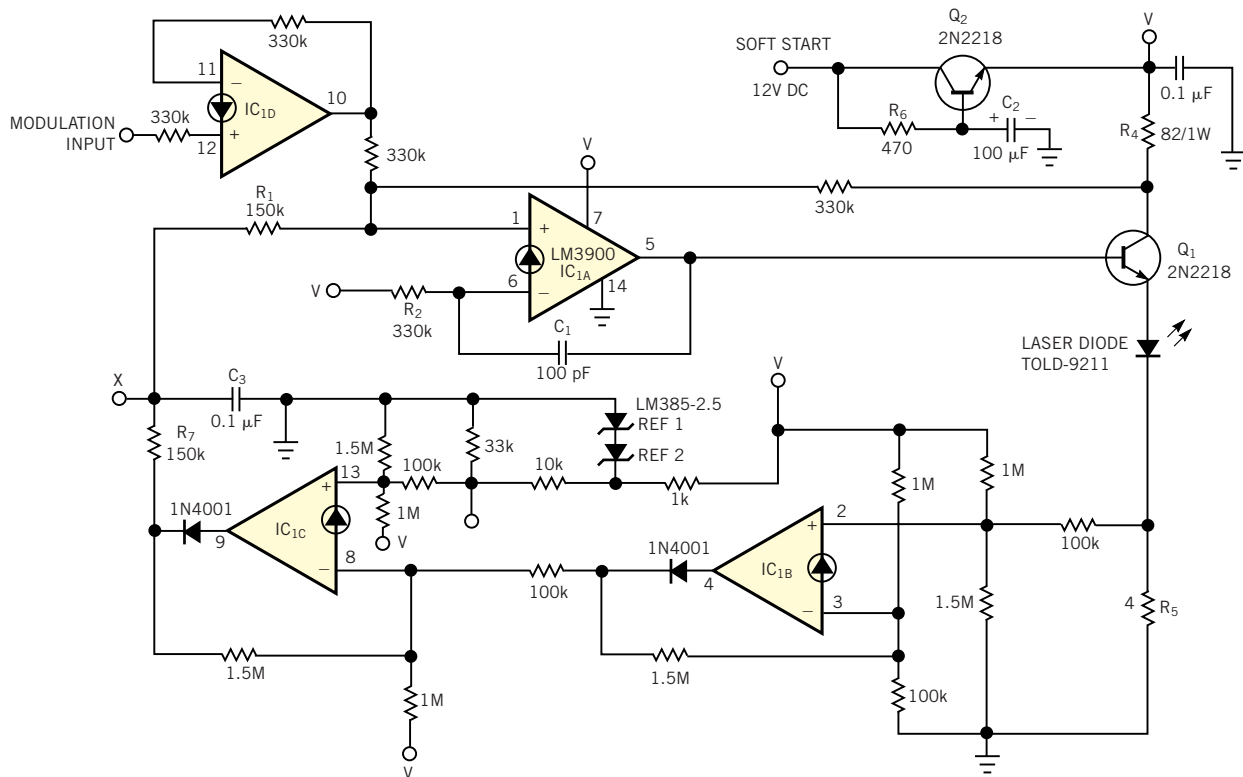


Figure 1



NOTES:
ALL RESISTORS HAVE 100-PPM STABILITY UNLESS OTHERWISE SPECIFIED.
C₁ IS SILVER-MICA TYPE.

The dc voltage at Point X stabilizes the drive current in the feedback mode against any variations in the IV characteristics of the laser diode and the power-supply voltage.