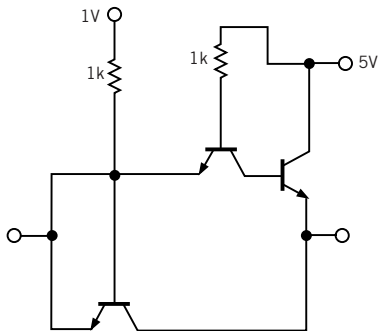


**Figure 3**



3/4MPQ2369

**The ultimate 1-to-5V up-shifting driver in the laboratory produces a symmetrical delay of 6 nsec using three-fourths of an MPQ2369 when driving a single 74AC541 buffer.**