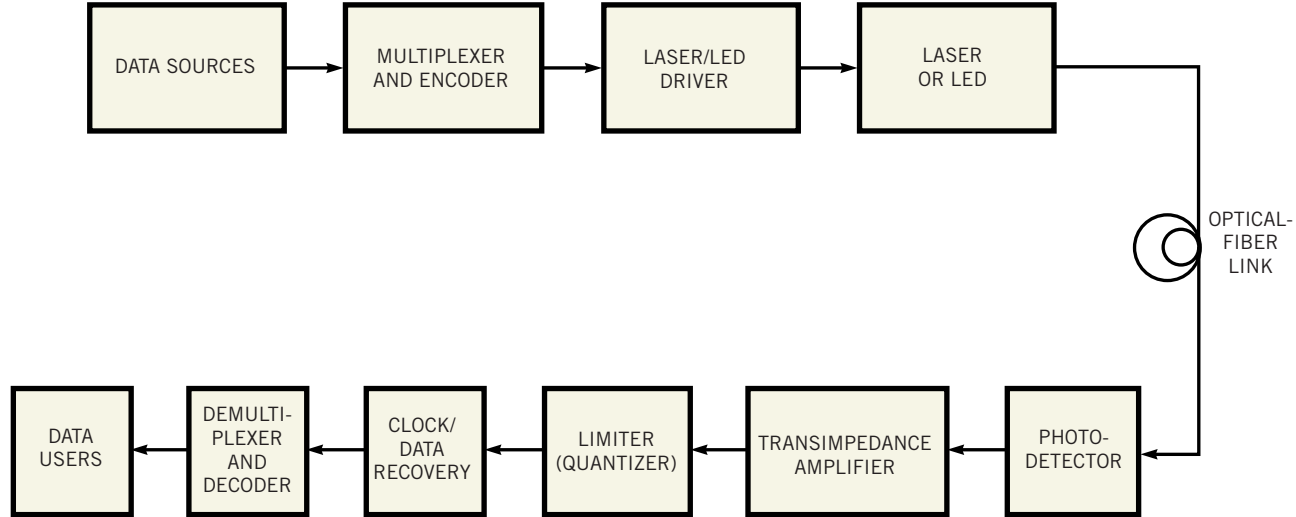


Figure 1



The electronic/fiber/electronic signal chain links data encoders; a photon source and drivers; a photon receiver; a transimpedance amplifier; a signal limiter (quantizer); and clock-recovery, data-retiming, and signal-regeneration functions.