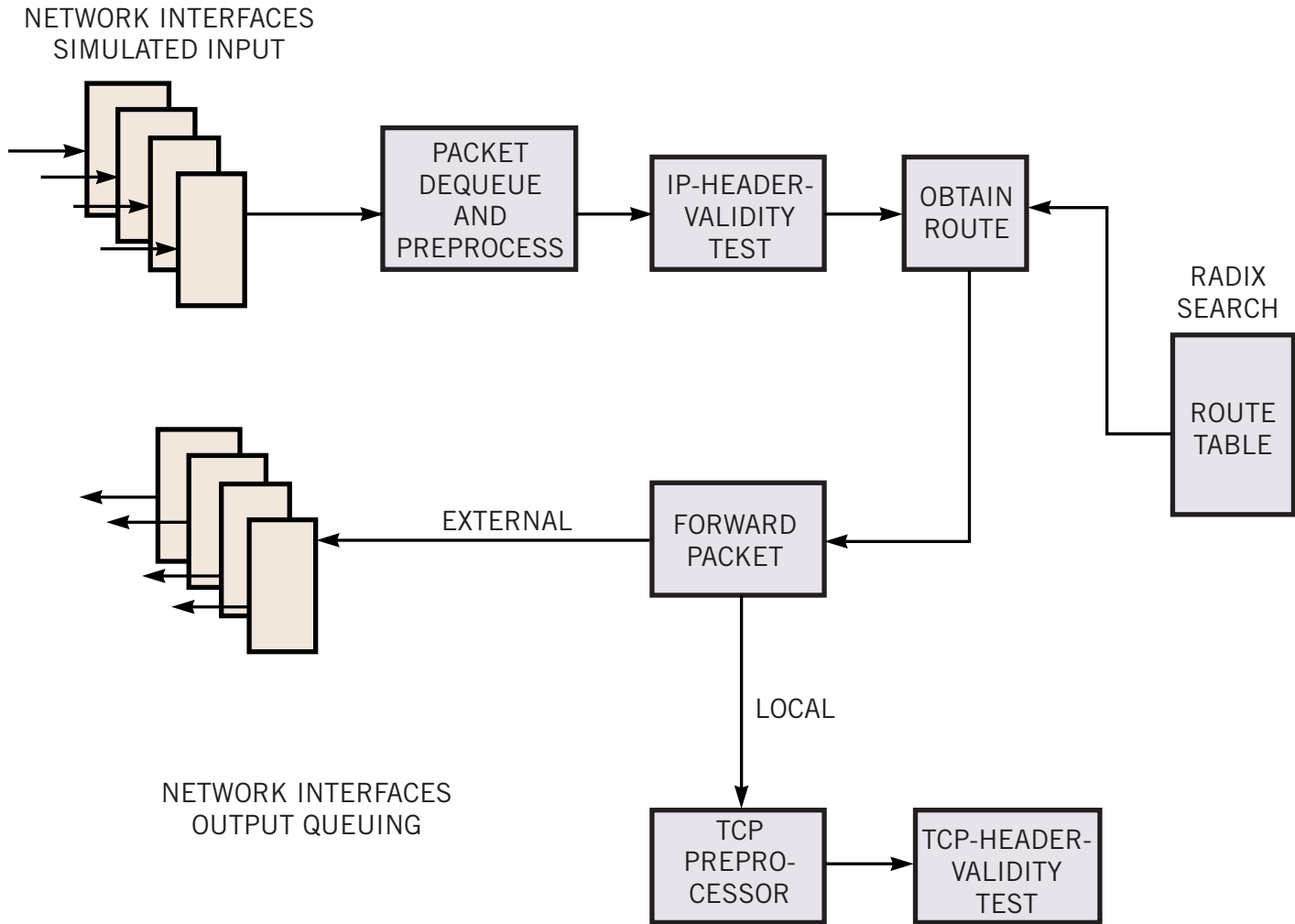


Figure 2



In this networking benchmark, packets flow from the simulated virtual-network interface to the output queue (courtesy Excelsior Research, www.dflx.com).