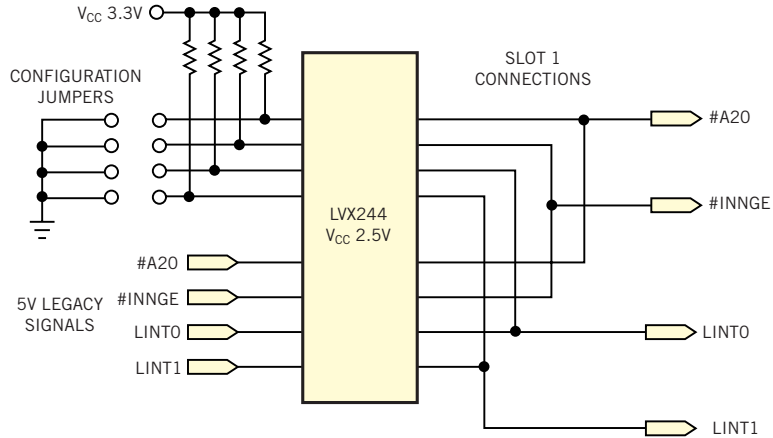


Figure 2



The latest PC specification is an example of a mixed-voltage application that requires only input overvoltage tolerance.