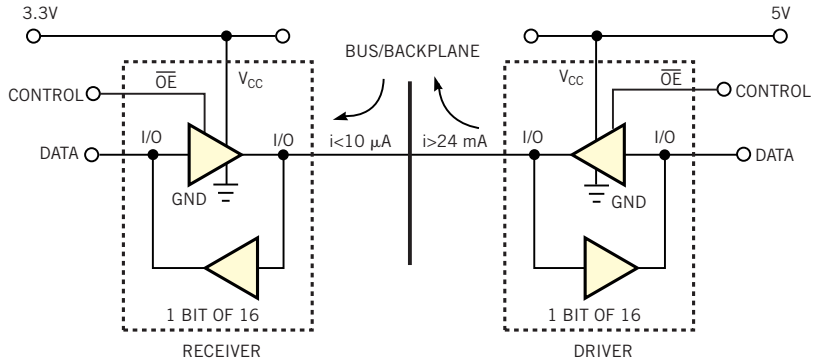


Figure 3



Some mixed-voltage applications require both input and output overvoltage tolerance to minimize the impact on the receiver of possible signal levels higher than the receiver's supply level. In this example, leakage on an overvoltage-tolerant device's three-state I/O pin is less than 10 μA .