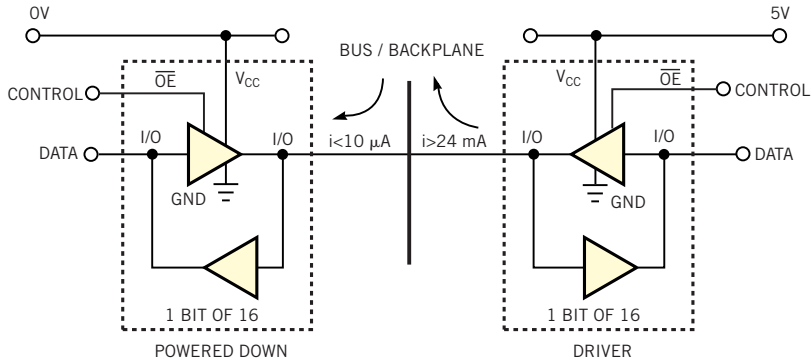


Figure 4



A multicard telecomm backplane with a powered-down card, a mixed-voltage application, shows the inherent value of an overvoltage-tolerant IC.