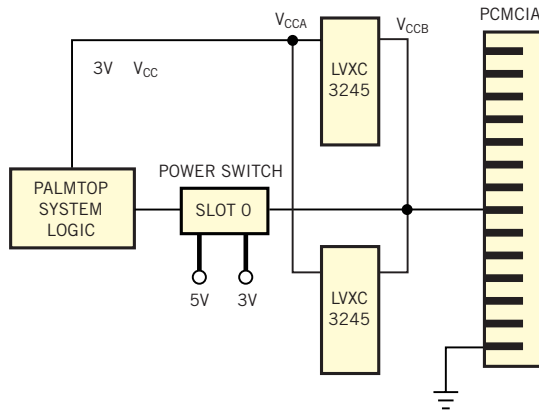


Figure 5



When using a dual-supply translator, which performs true step-up/step-down signal-level voltage translation depending on the direction of travel, overvoltage-tolerant devices are unnecessary because of the dual supplies.