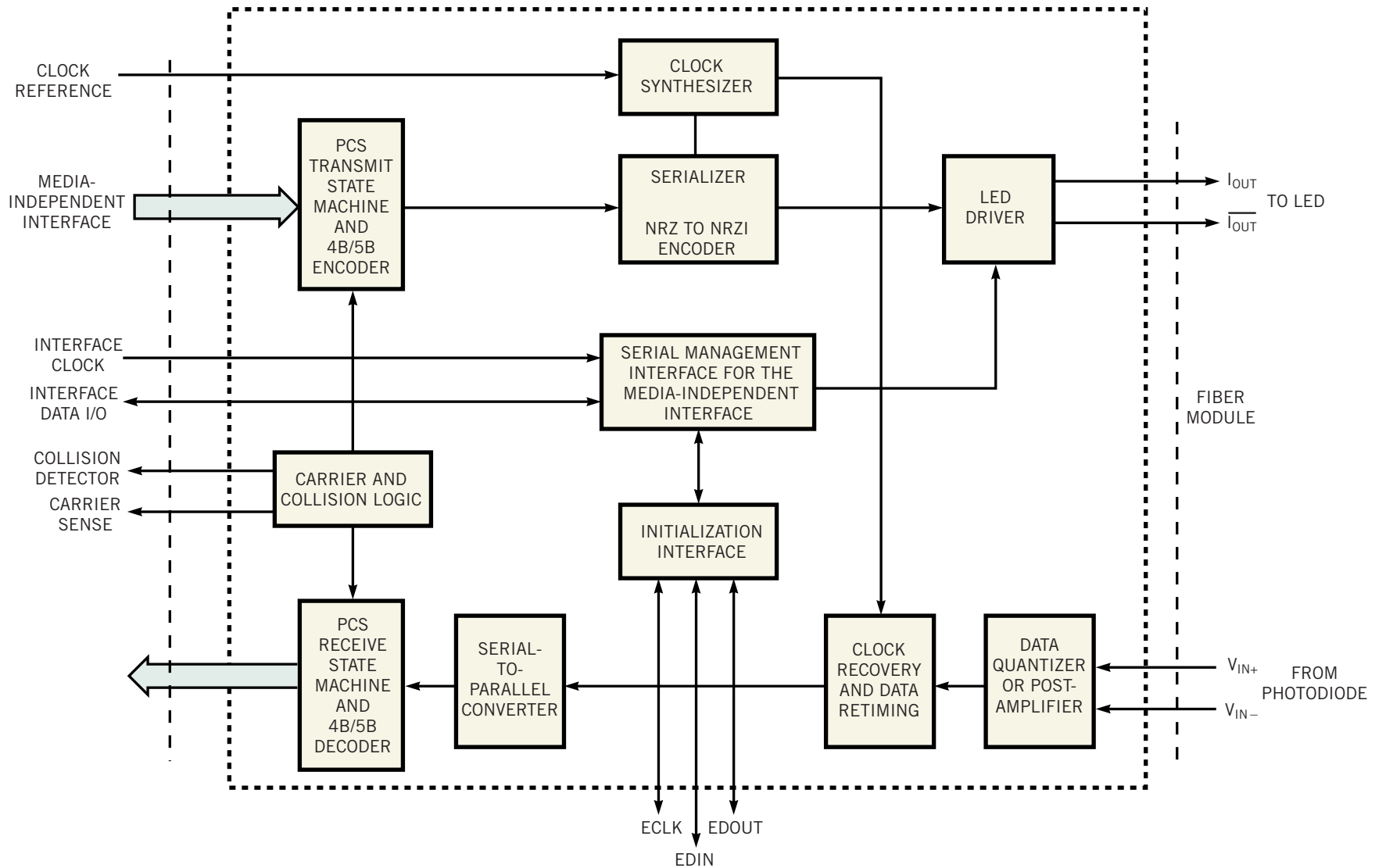


Figure 2



When working with the lower rates of 100BaseX links, you can get all the interface circuitry in one IC, such as the Micro Linear ML6696.