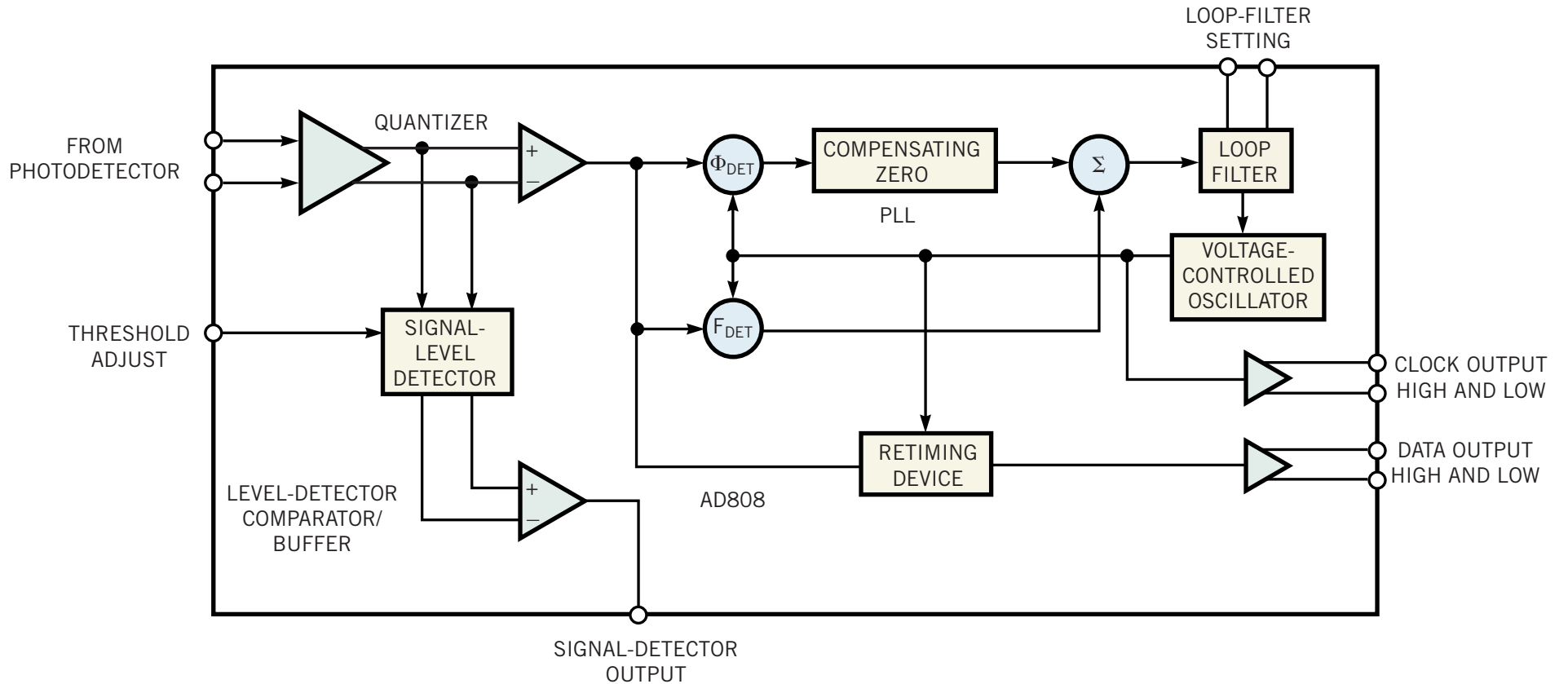


Figure 3



By using an integrated device, such as Analog Devices' AD808, after the photodiode and its preamplifier, you can build a 622-Mbps receiver channel, which prepares the data for decoding at the system level.