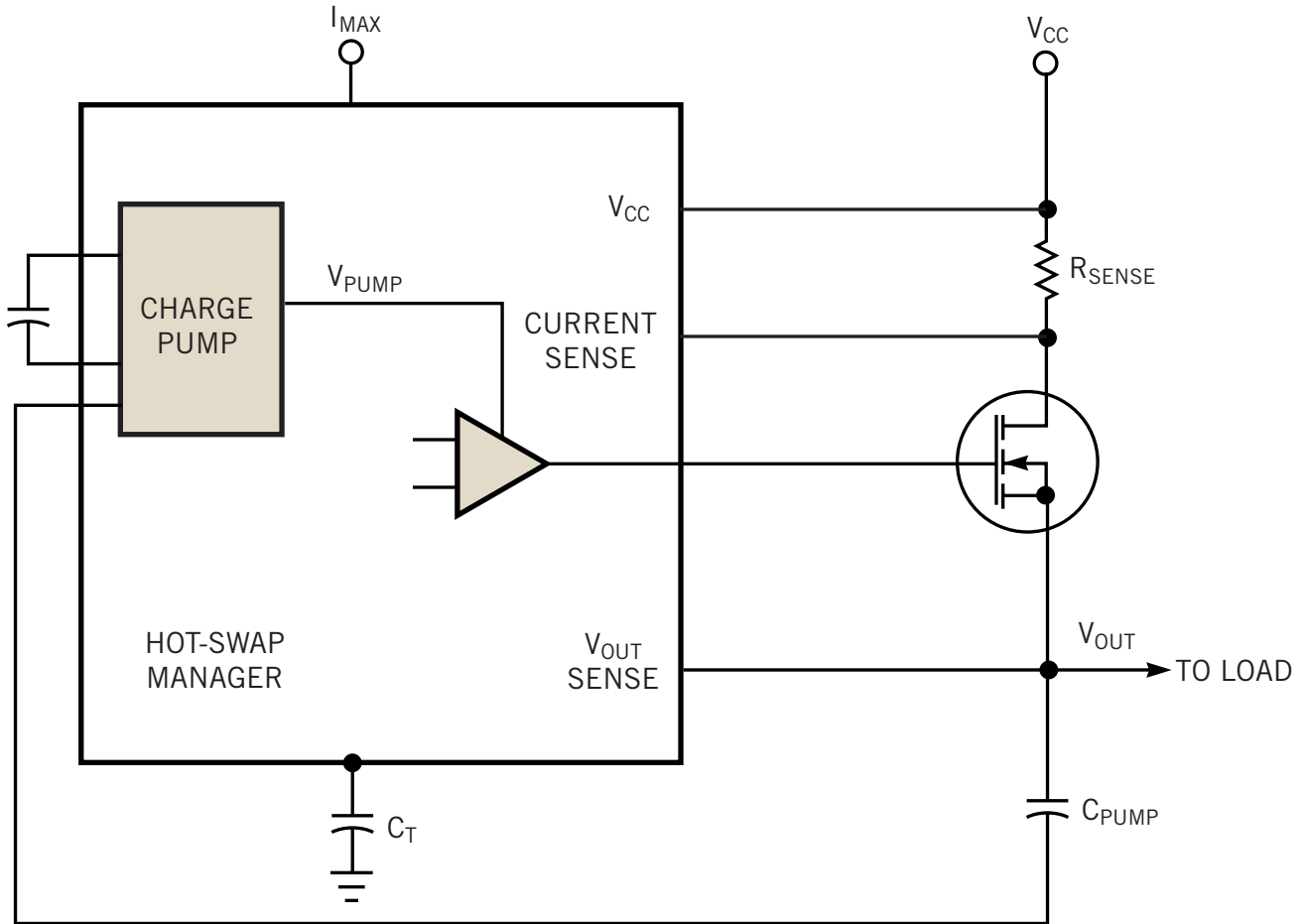


**Figure 2**



**Bootstrapping via CPUMP, an on-chip charge-pump circuit, provides the gate drive for the external MOSFET used with most hot-swap controllers.**