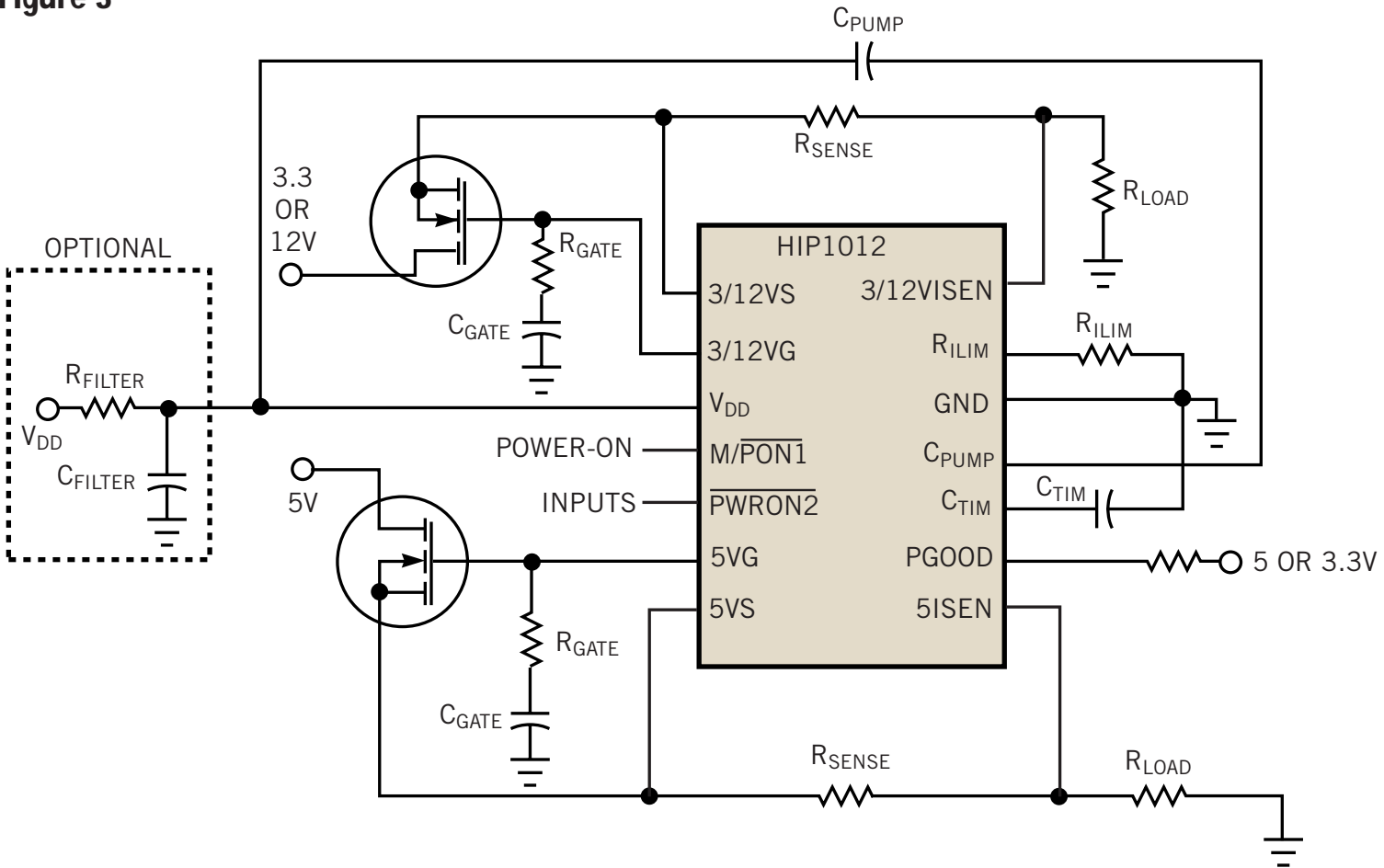


**Figure 3**



Live insertion/removal is a must in RAID systems; the HIP1012 from Harris Semiconductor provides hot-swap protection for the disk-drive power buses in these redundant systems.