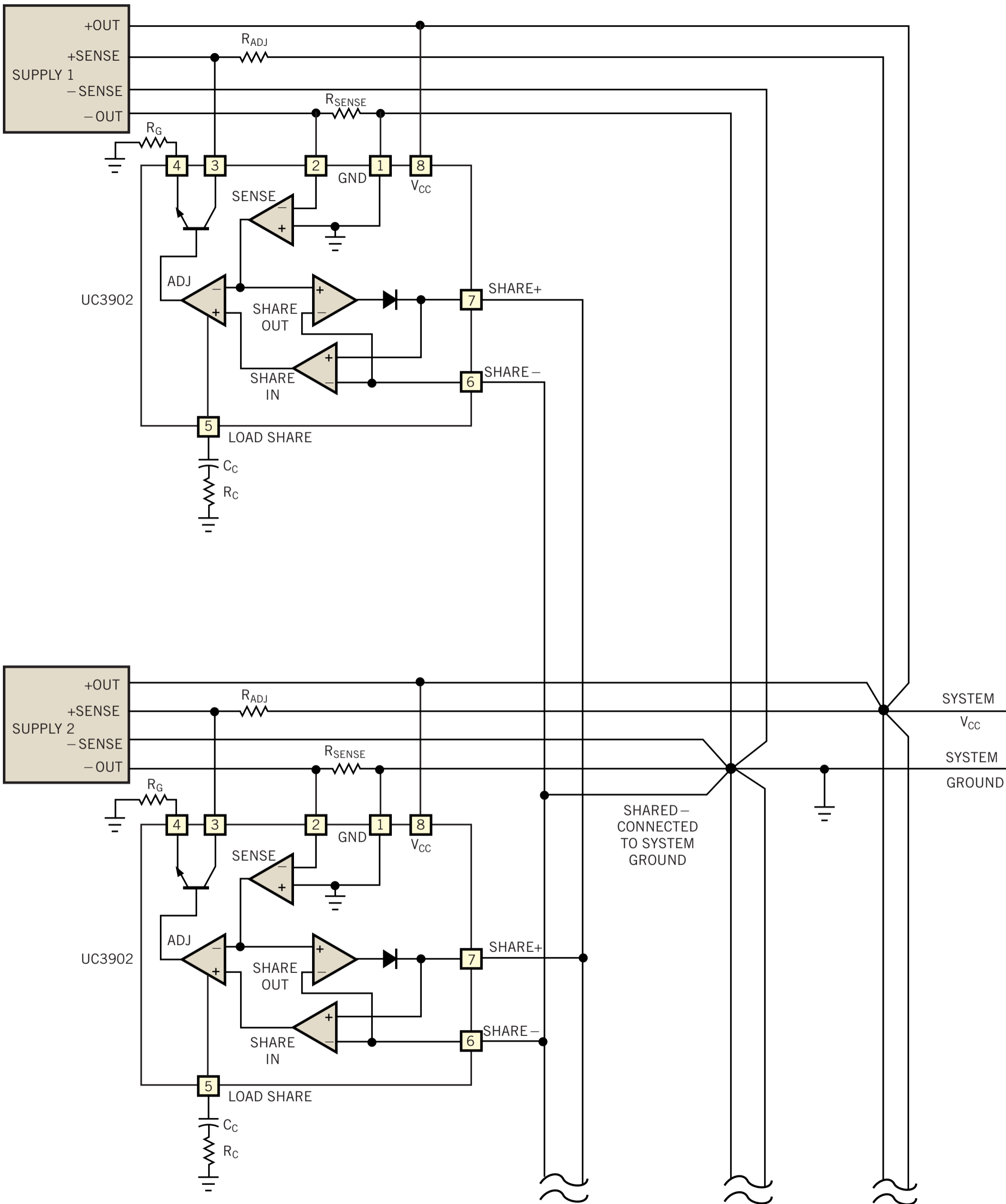


Figure 5



TO ADDITIONAL SUPPLIES AND UC3902s

Using the output-voltage-sense line available on many power-supply modules, Unitrode's UC3902 load-share controller equalizes the current contributions from multiple, parallel-connected supplies.