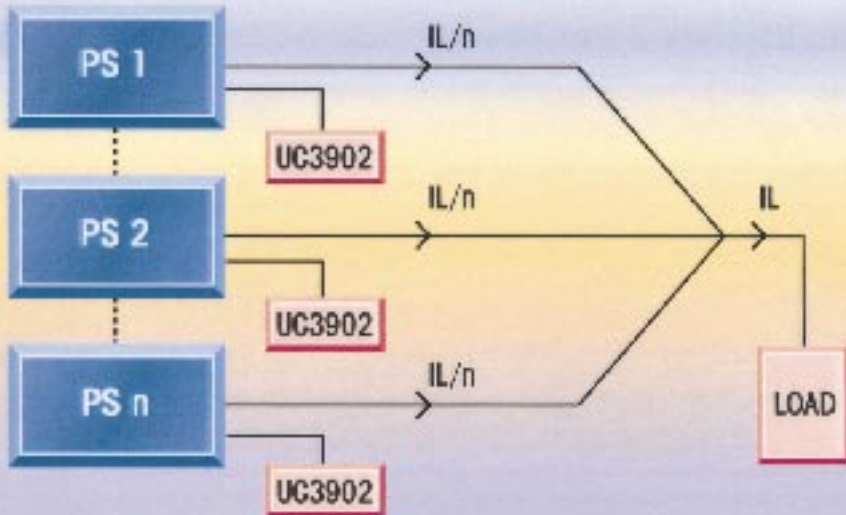


UC3902 8-Pin Load Share Controller



A handful of UC3902 load-share ICs from Unitrode can prevent multiple supplies from oversupplying or undersupplying their share of load current.