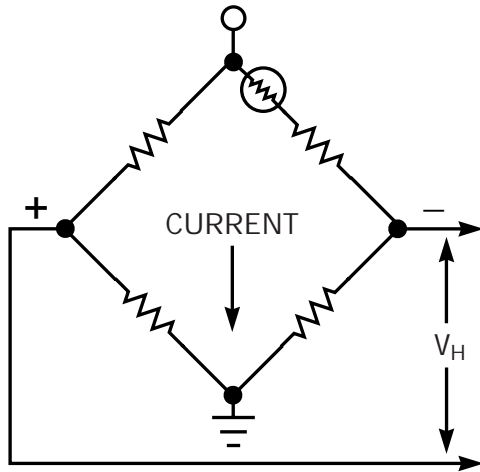
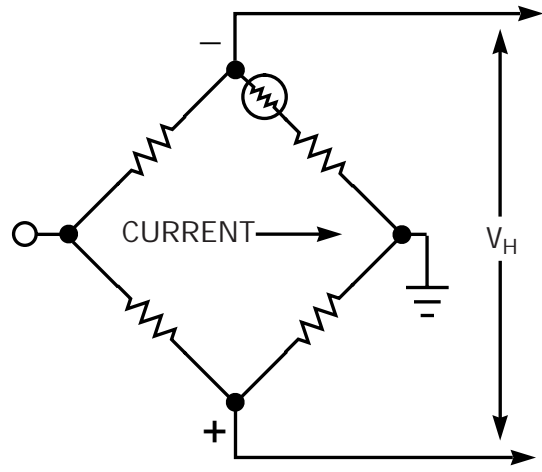


Figure 1



$$V_H = SB + V_{H(OFF)}$$

AFTER PROCESSING,  $V_H = SB$ .



$$V_H = SB - V_{H(OFF)}$$

Flipping the connections of a quad Hall plate by 90° causes the strain-induced offset voltage to appear with alternating polarities at the output; subsequent demodulation removes the offset error.