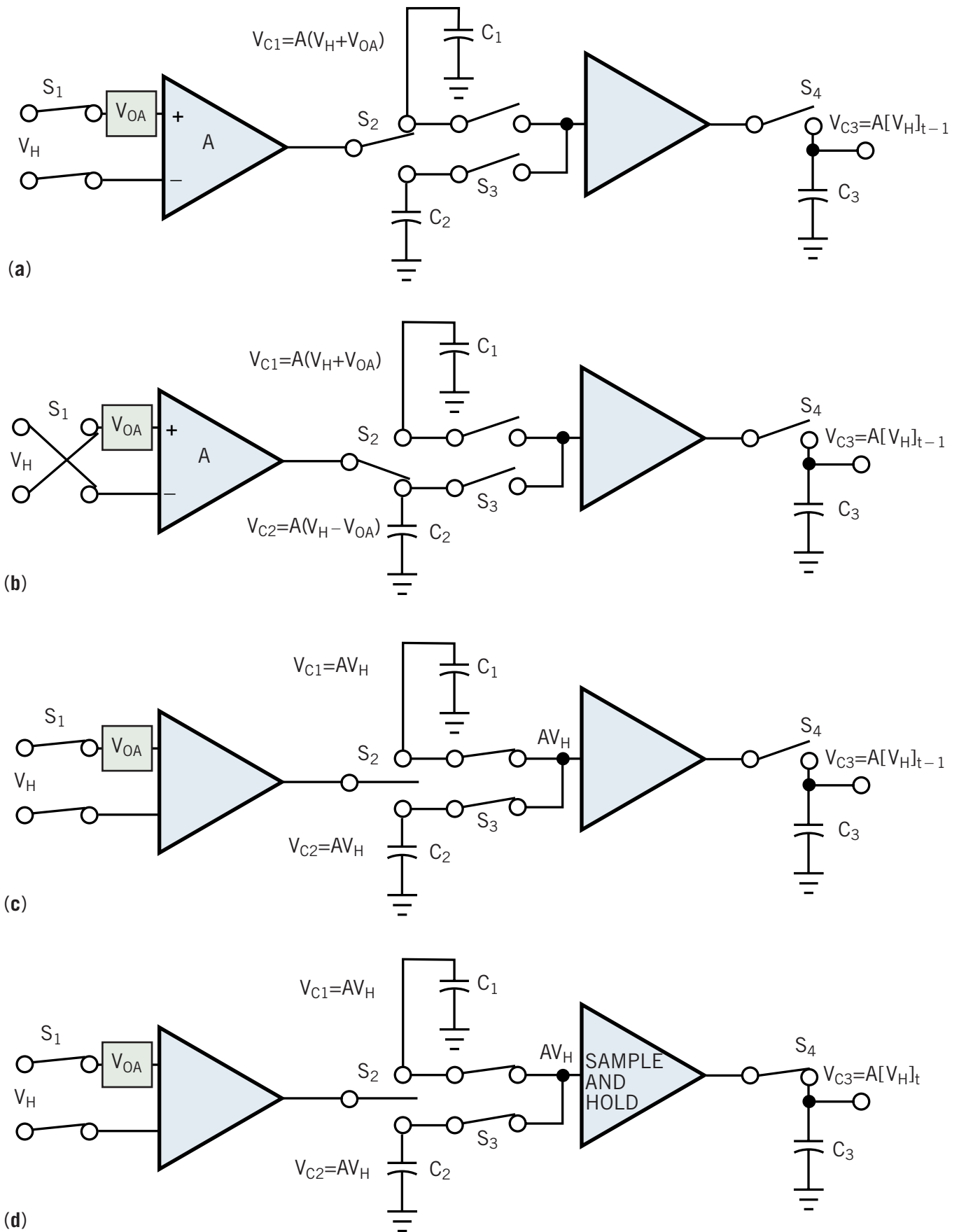


Figure 2



Clever use of CMOS switches makes it possible to cancel out the offset voltage in the high-gain input amplifier, leaving only the useful Hall signal at the output.