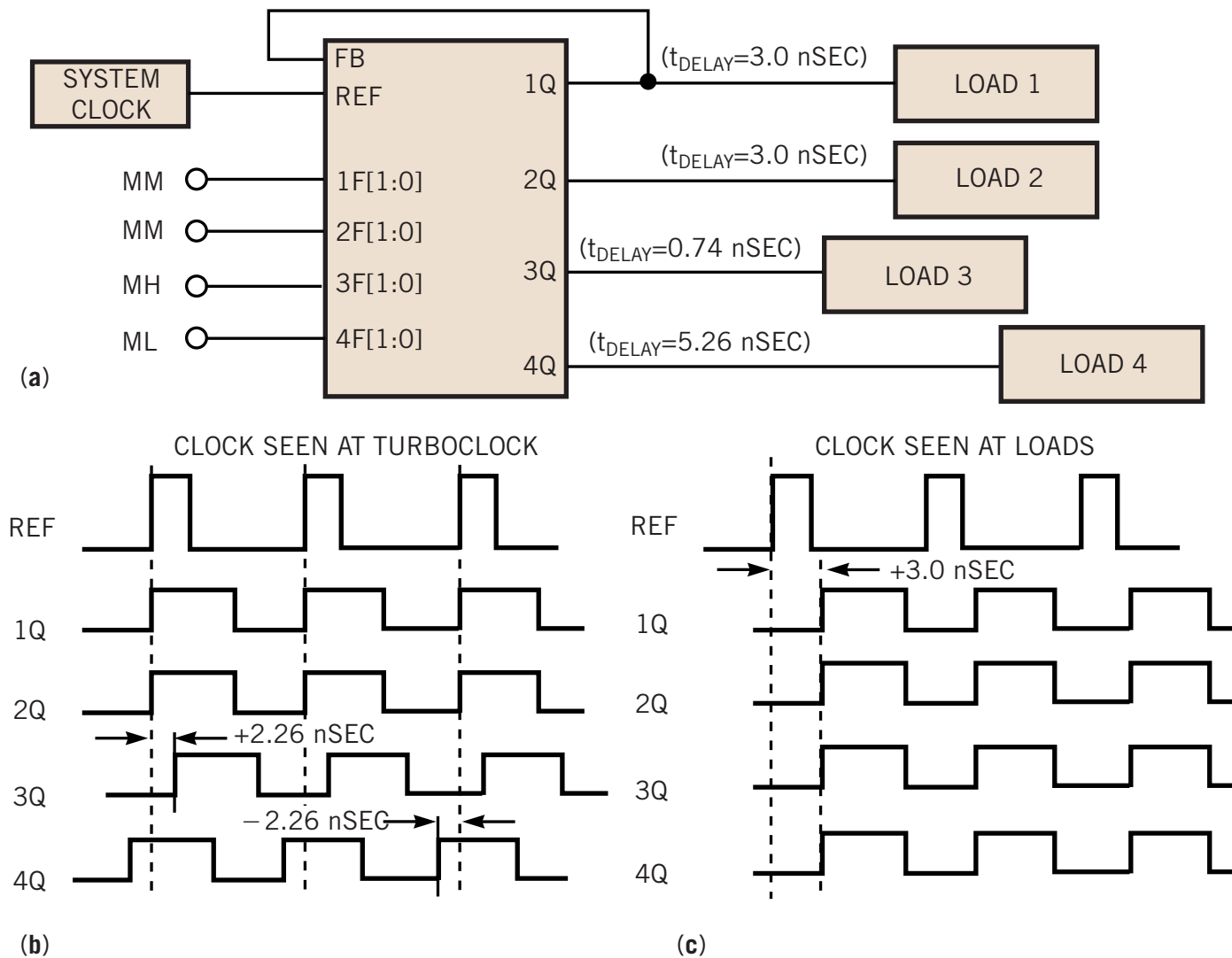


**Figure 2**



**To compensate for pc-board trace-length differences (a), you can adjust the clock-driver outputs (b) such that the clock signals arrive simultaneously at their respective loads (c).**