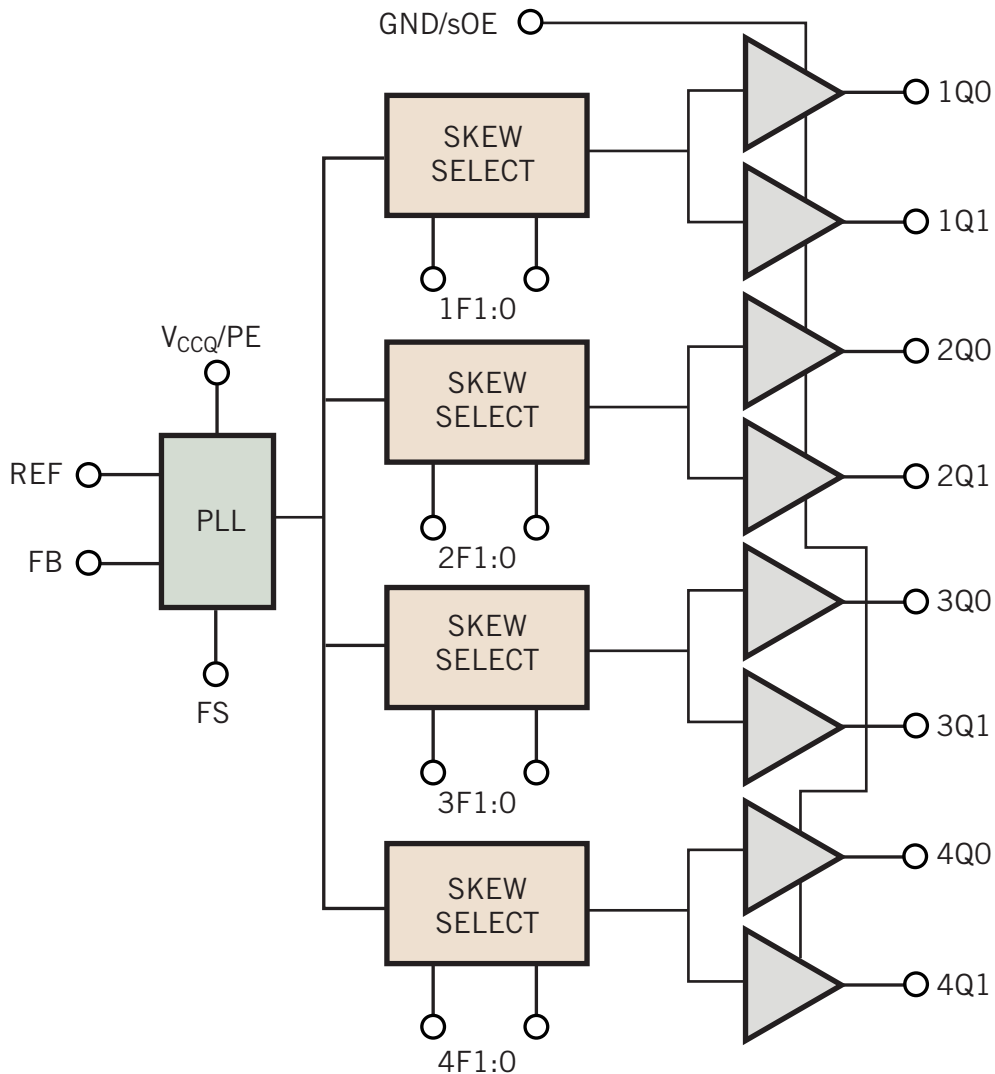


Figure 3



This programmable-skew clock driver has eight programmable-skew outputs in four banks of two each.