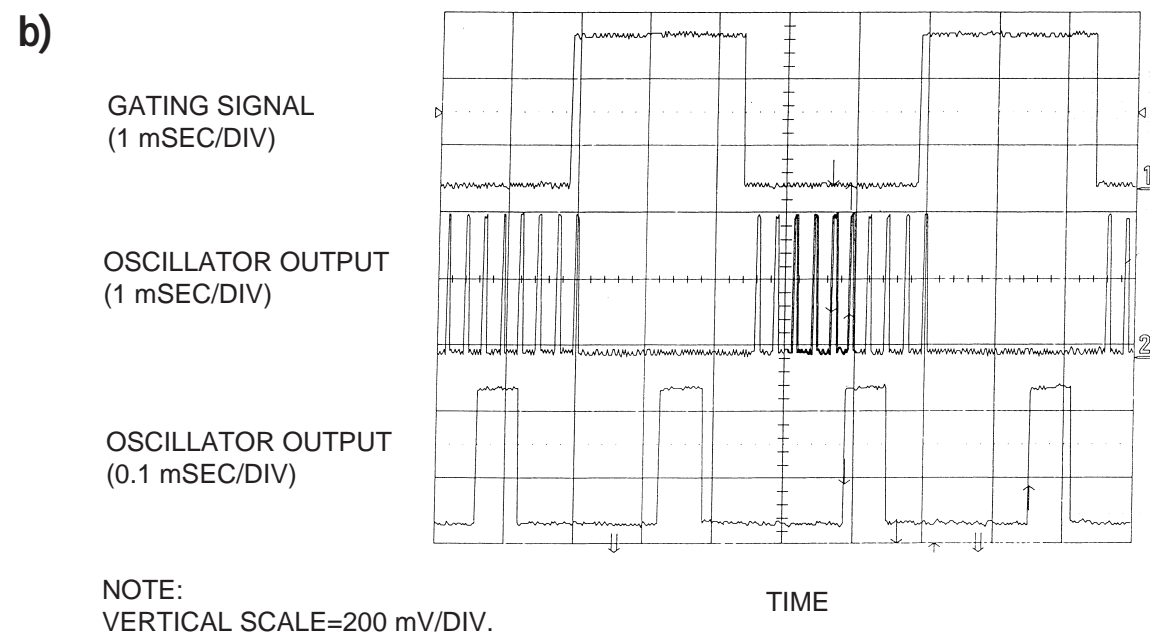
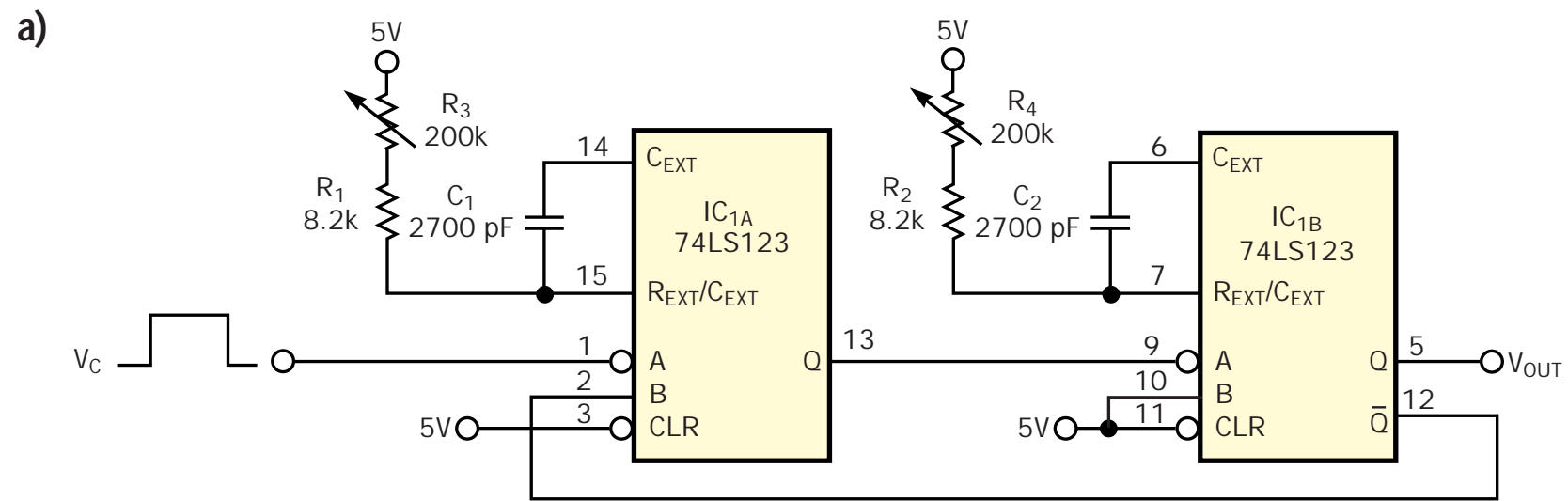


Figure 1



A gated, astable oscillator (a) has an independently variable TON and TOFF. The oscillator output is on when the gating signal is low (b).