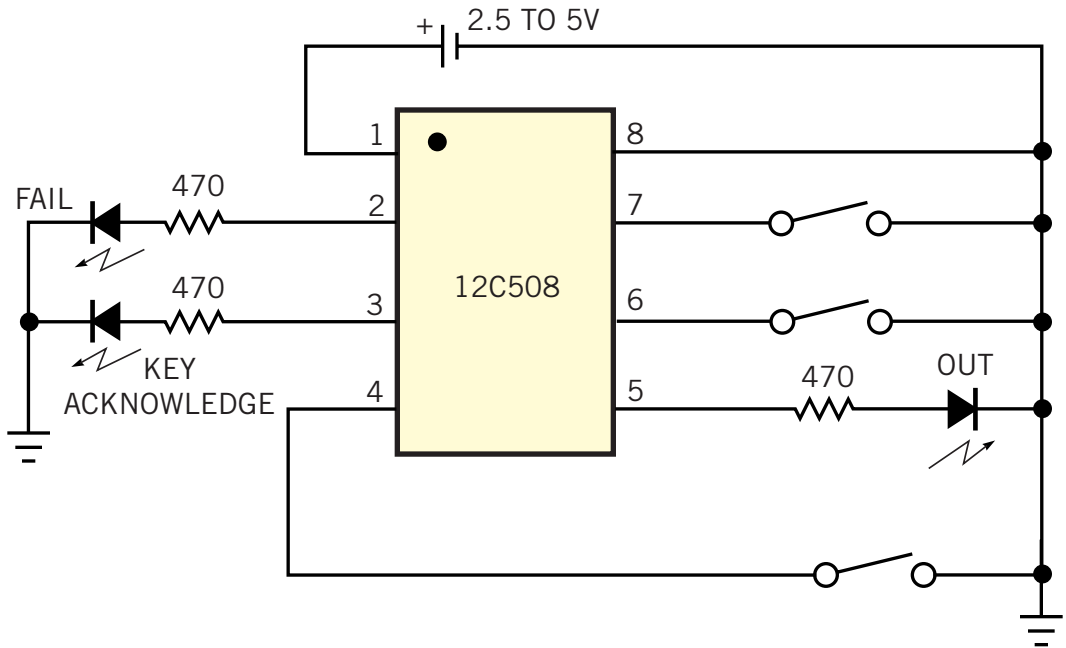


**Figure 1**



**An inexpensive  $\mu\text{C}$  implements a simple, foolproof digital-sequence lock with key debounce and status indication.**