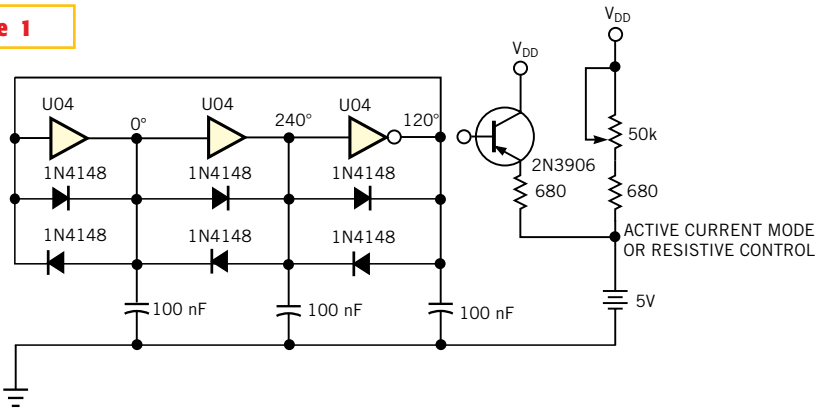


Figure 1



A ring-type oscillator generates 3-phase outputs over a wide frequency range.