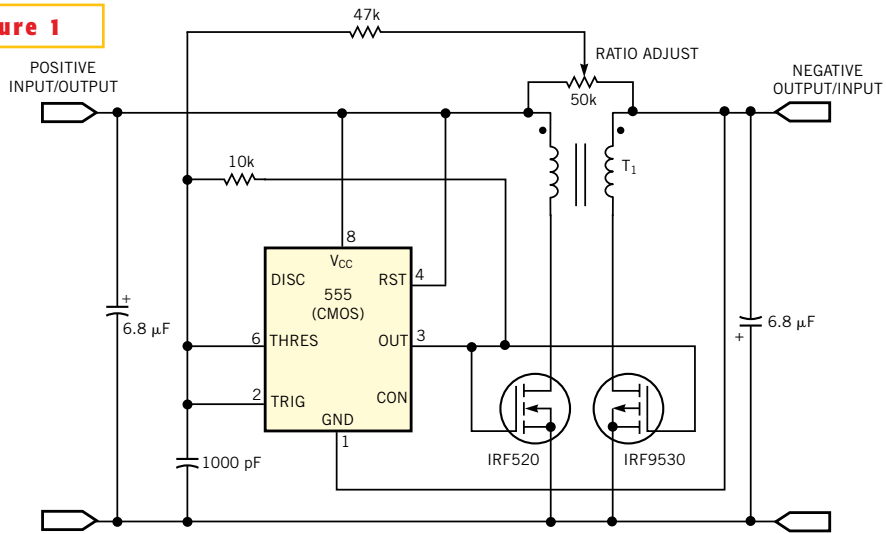


**Figure 1**



An inverter circuit swaps charges between opposite-polarity batteries.