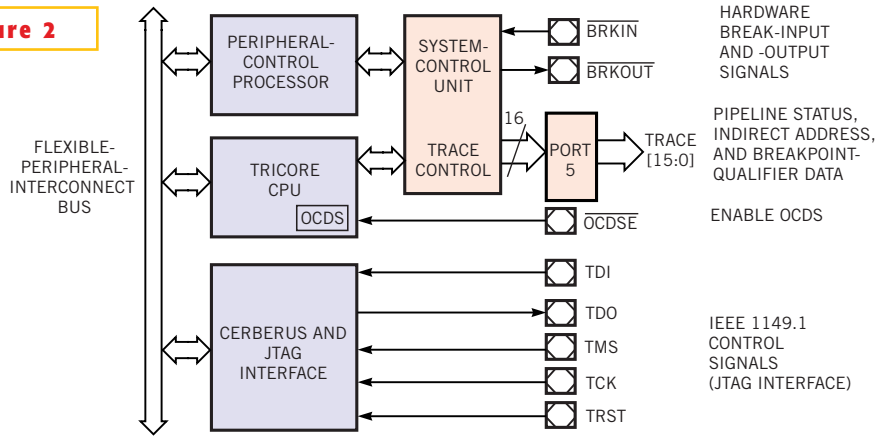


Figure 2



NOTE: OCDS=ON-CHIP-DEBUGGING SUPPORT.

Infineon's first-generation TriCore processor includes an on-chip-debug system with capabilities similar to those of 5001-99 Class-2 devices.