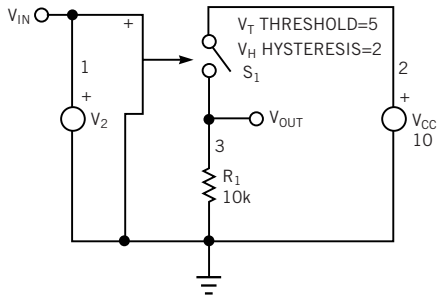
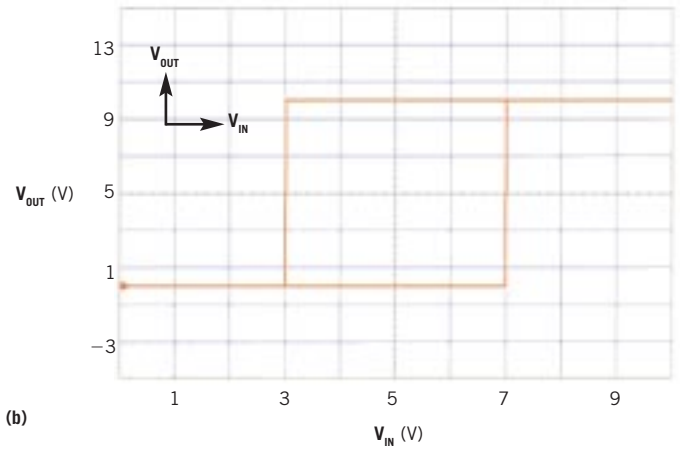


**Figure 1**



(a)

(b)



This switch circuit (a) toggles at 7V and resets at 3V, yielding 4V hysteresis (b).