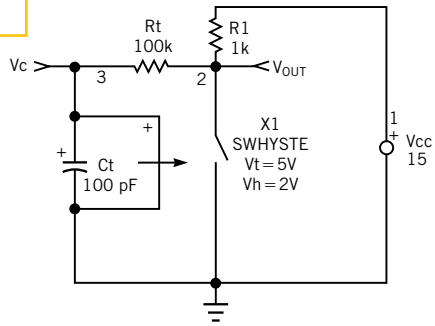


Figure 3



These results clearly show the 4V hysteresis in Figure 2's subcircuit.