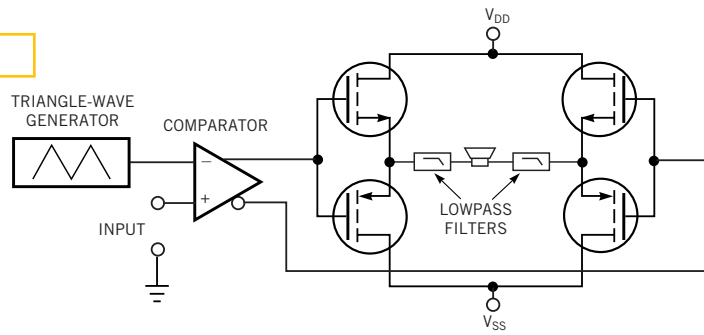


**Figure 1**



**A basic PWM modulator compares the amplitude of an incoming audio signal to a high-frequency triangle wave. The output pulse train—often mistaken for a digital signal—is in fact an analog representation of the original waveform.**