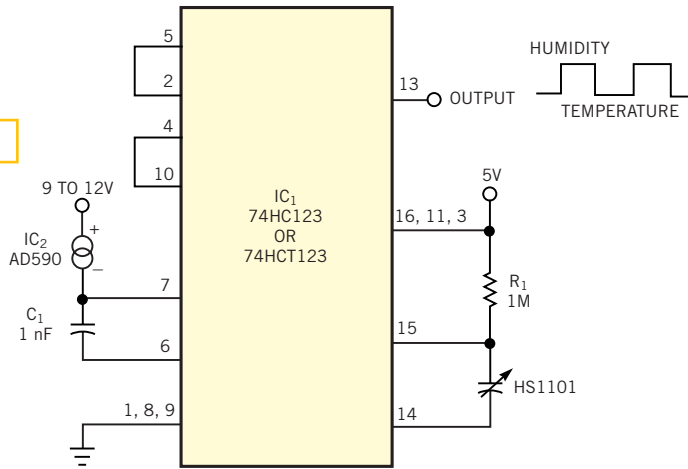


Figure 1



A monostable-multivibrator IC provides temperature and humidity information in one TTL signal.