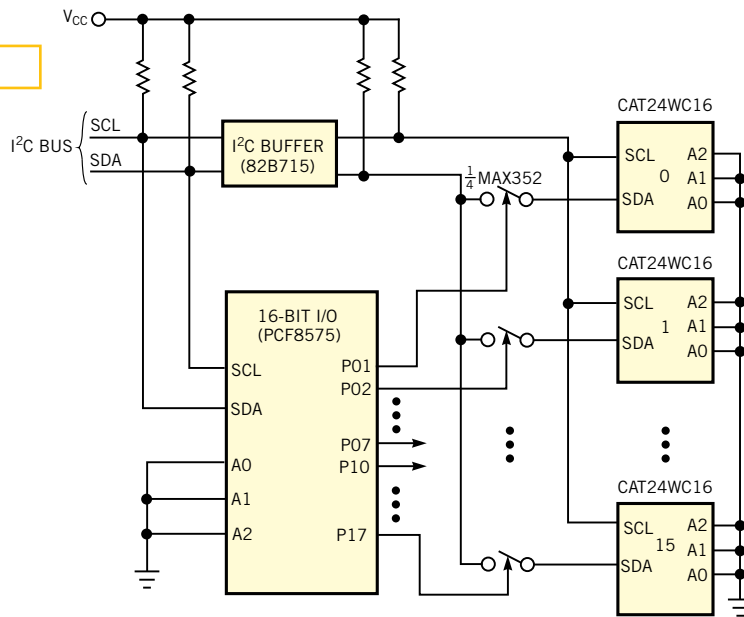


**Figure 1**



An I<sup>2</sup>C expander and analog switches provide gang programming and serial read access for multiple EEPROMs.