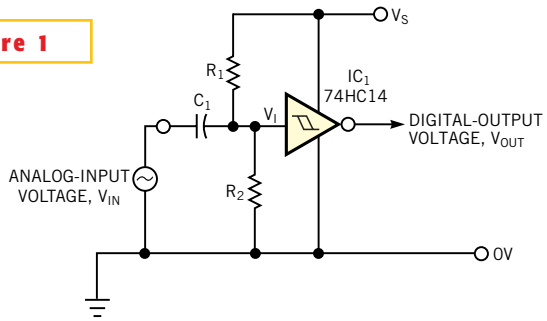


Figure 1



This Schmitt-trigger circuit is useful for converting an ac signal to digital form.