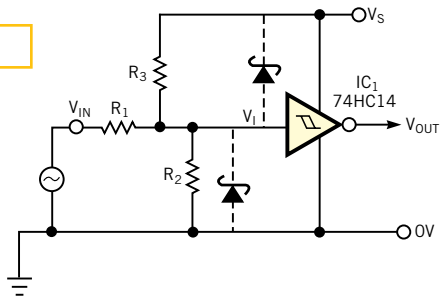


Figure 2



Eliminating the input capacitor avoids problems with asymmetrical input waveforms.