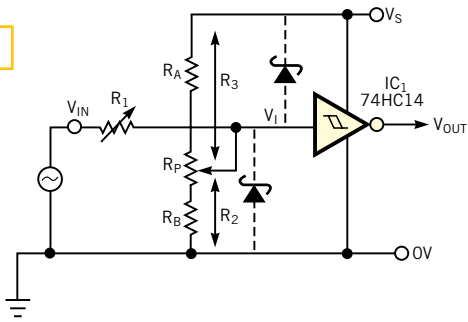


Figure 3



The potentiometer networks solve the problem of large spreads in component values.