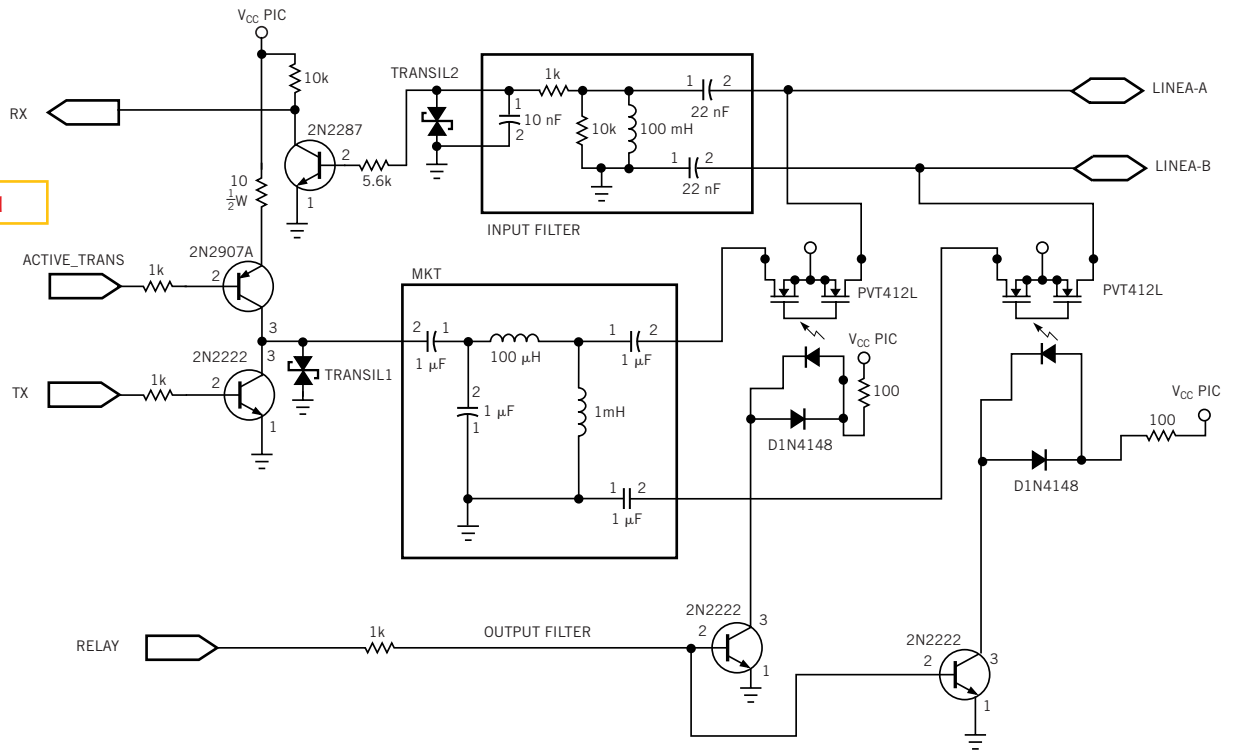


**Figure 1**



A power-line-communications system needs input and output filters to eliminate interference.