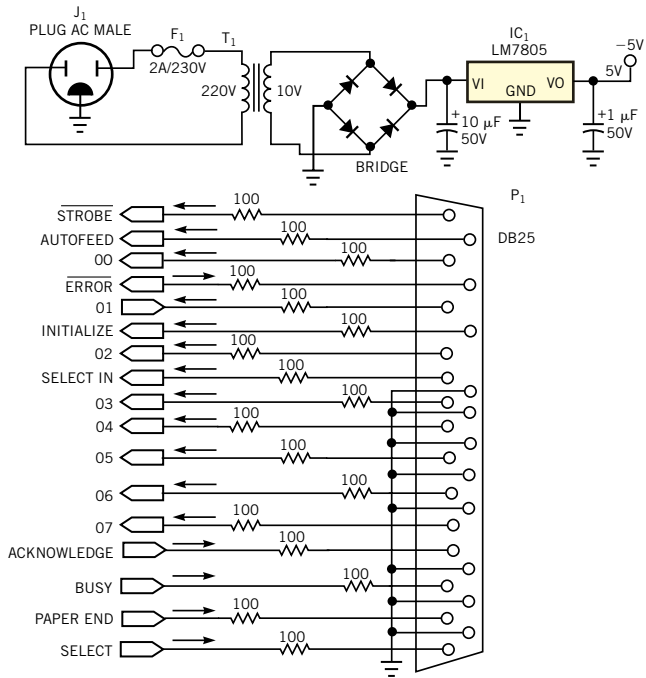


Figure 1



You address as many as 160 I/O signals with this simple connection of the LPT port.