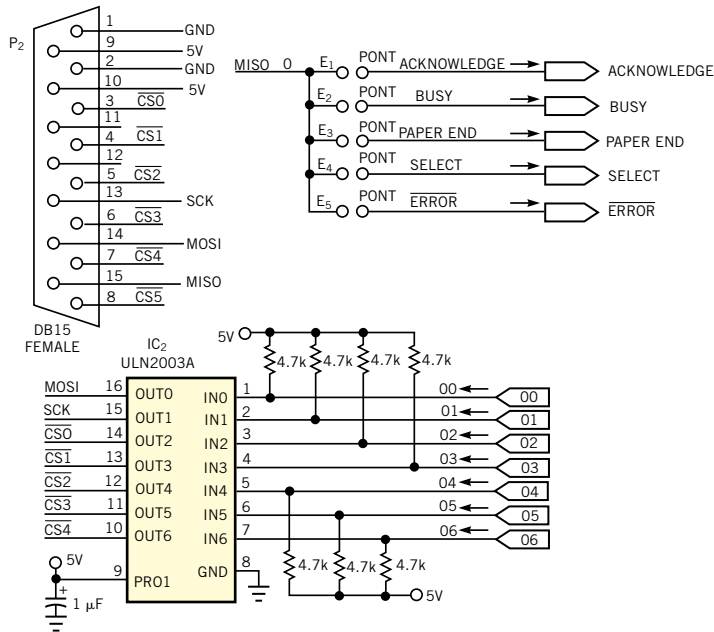


Figure 2



This simple scheme facilitates selection of the MISO signal in the SPI protocol.