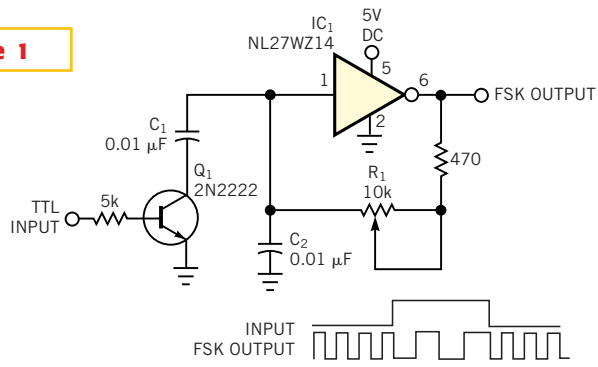


Figure 1



An FSK modulator uses a single inverter with minimal added components.