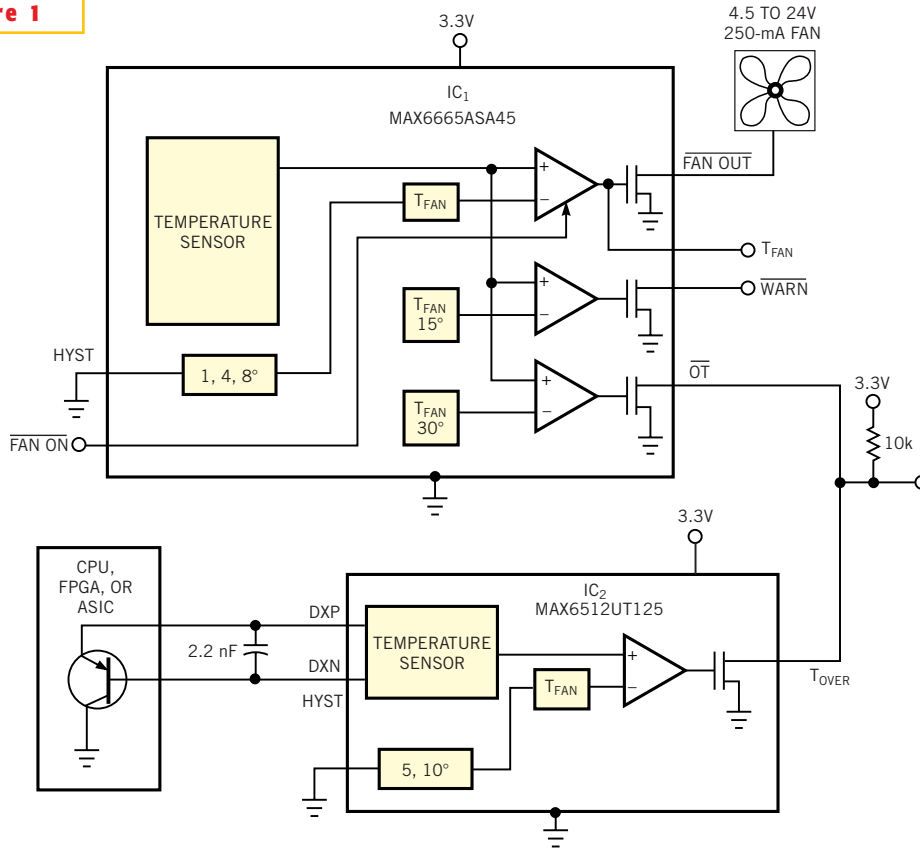


Figure 1



This circuit provides fan control and overtemperature protection for systems and high-power digital ICs.