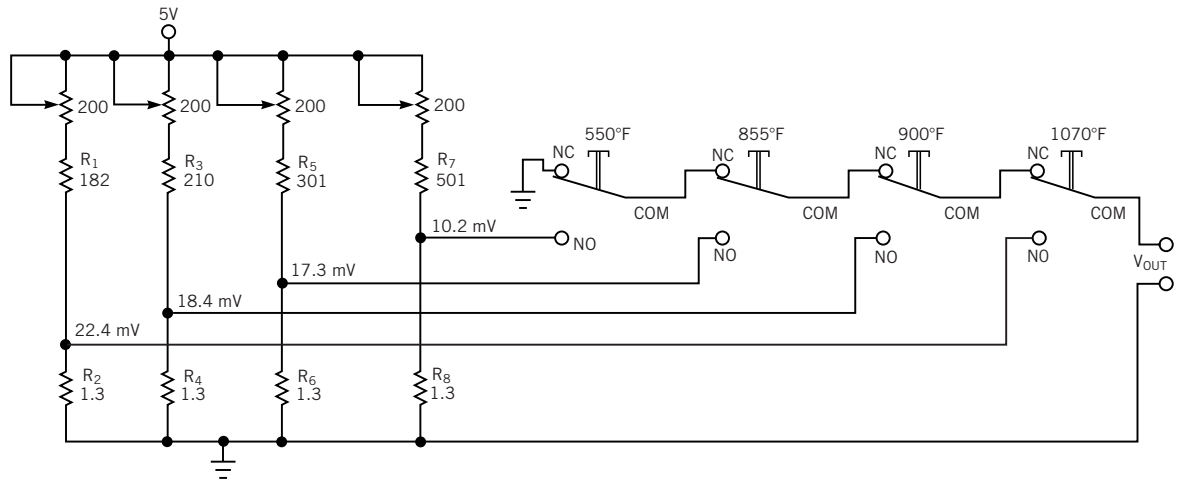


Figure 1



This network allows you to emulate thermocouple outputs at various temperatures.