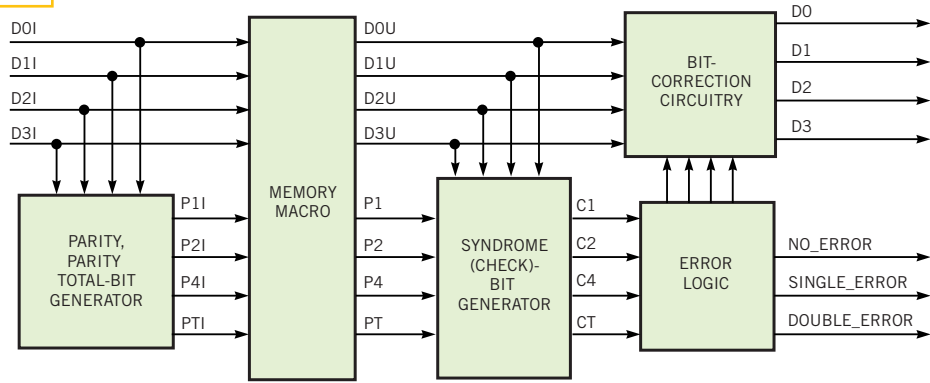


Figure 4



Additional check bits beyond those needed for parity enable both memory-error detection and correction (©2001 IEEE Spectrum).