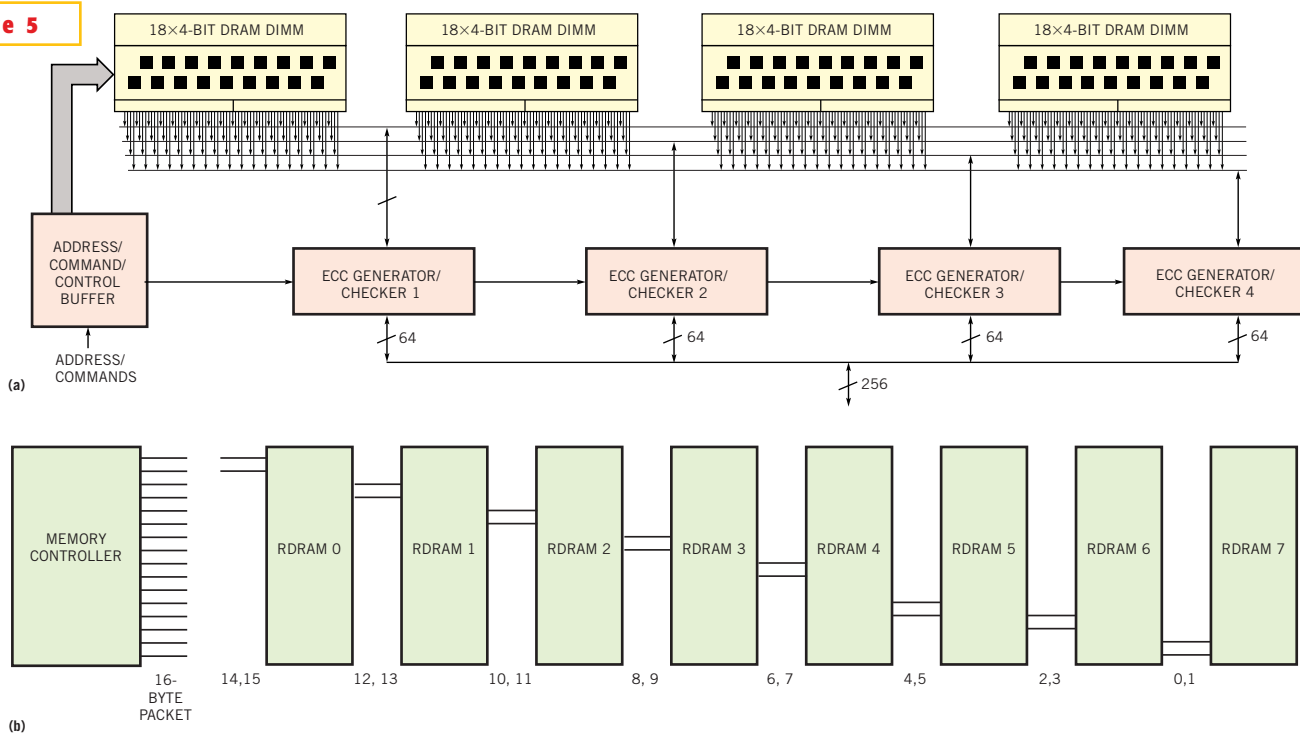


Figure 5



Elaborate multichip arrangements enable a wide-bus memory subsystem to remain functional after an entire device fails (a), and RDRAMs will support similar capabilities beginning at the 256-Mbit product generation (b) (courtesy Rambus).