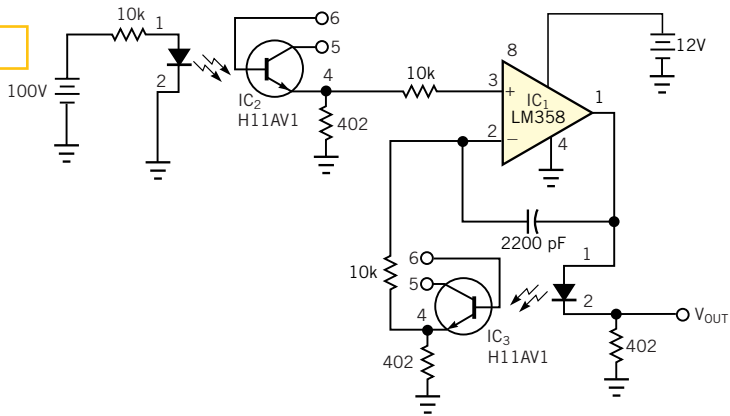


**Figure 1**



By using two optocouplers instead of one, you can cancel temperature-dependent gain drift.