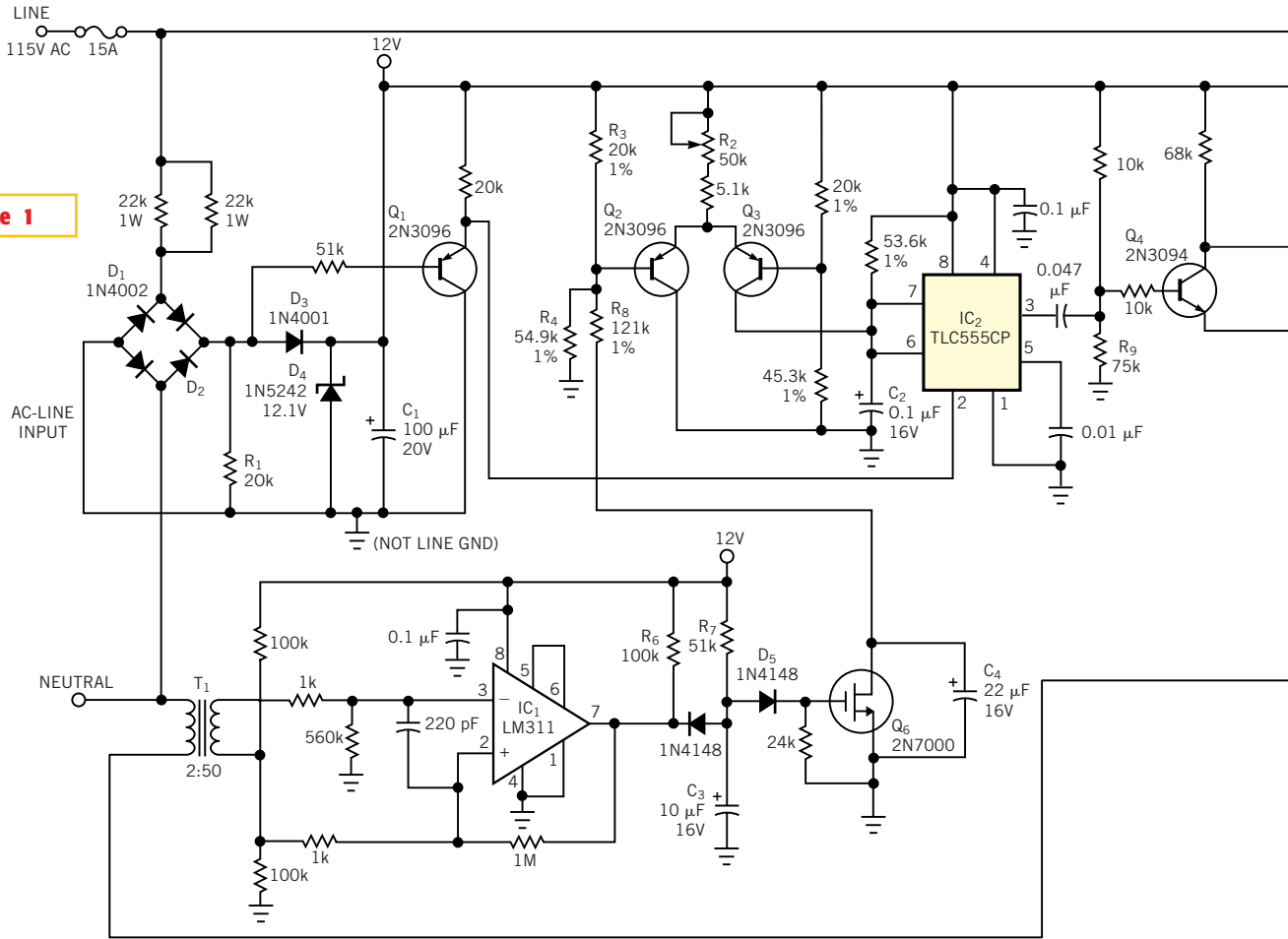


Figure 1



This soft-start circuit protects the load from large inrush currents.

