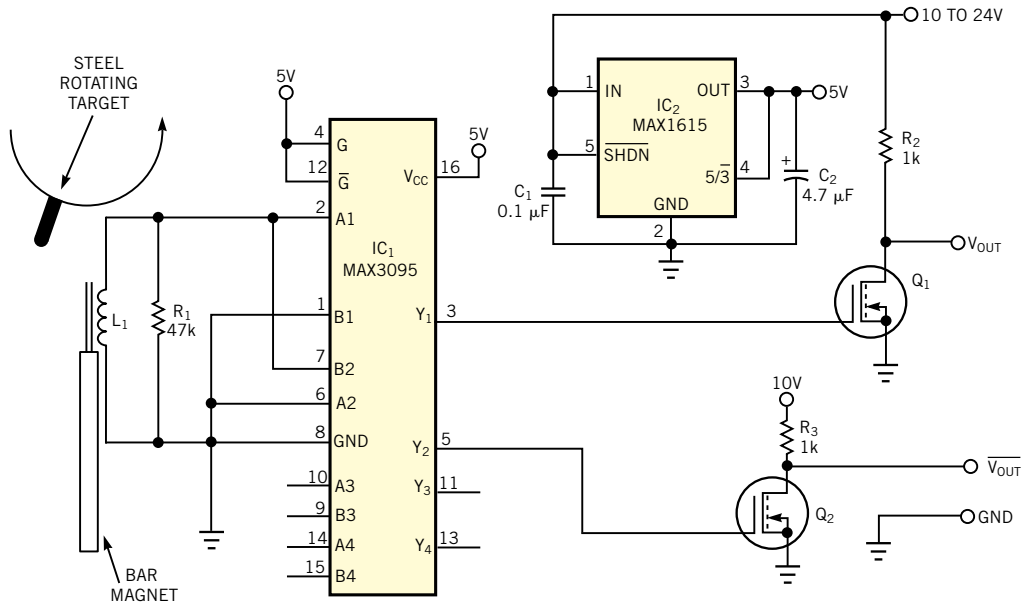


Figure 1



NOTE: Q₁, Q₂ = FAIRCHILD FDV303N.

This circuit provides a fail-safe, low- to medium-speed variable-reluctance sensor.