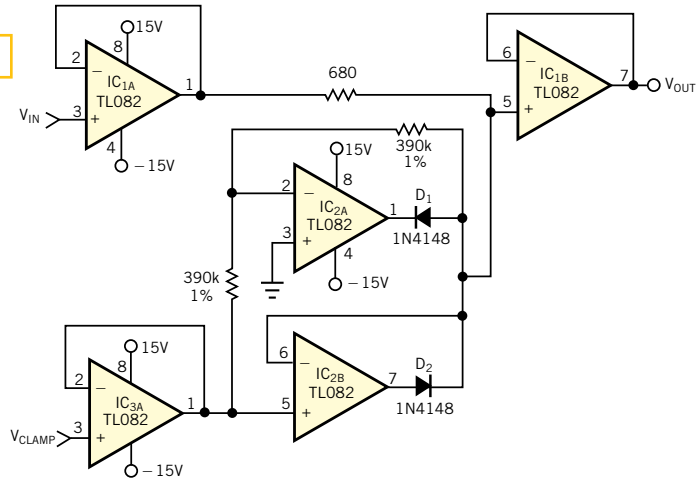


Figure 1



This circuit provides adjustable clamping over the range of ± 1 to $\pm 10V$.