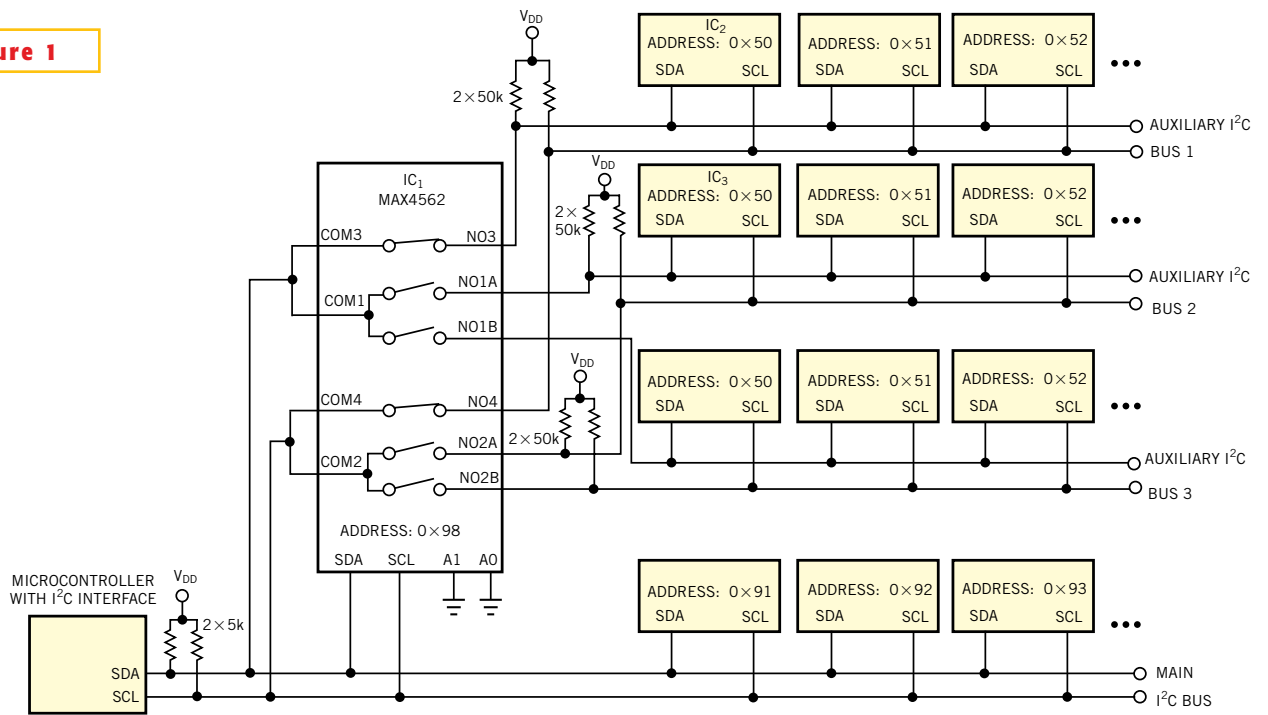


Figure 1



This I²C-controlled analog switch expands by three the number of devices connected to the bus.